

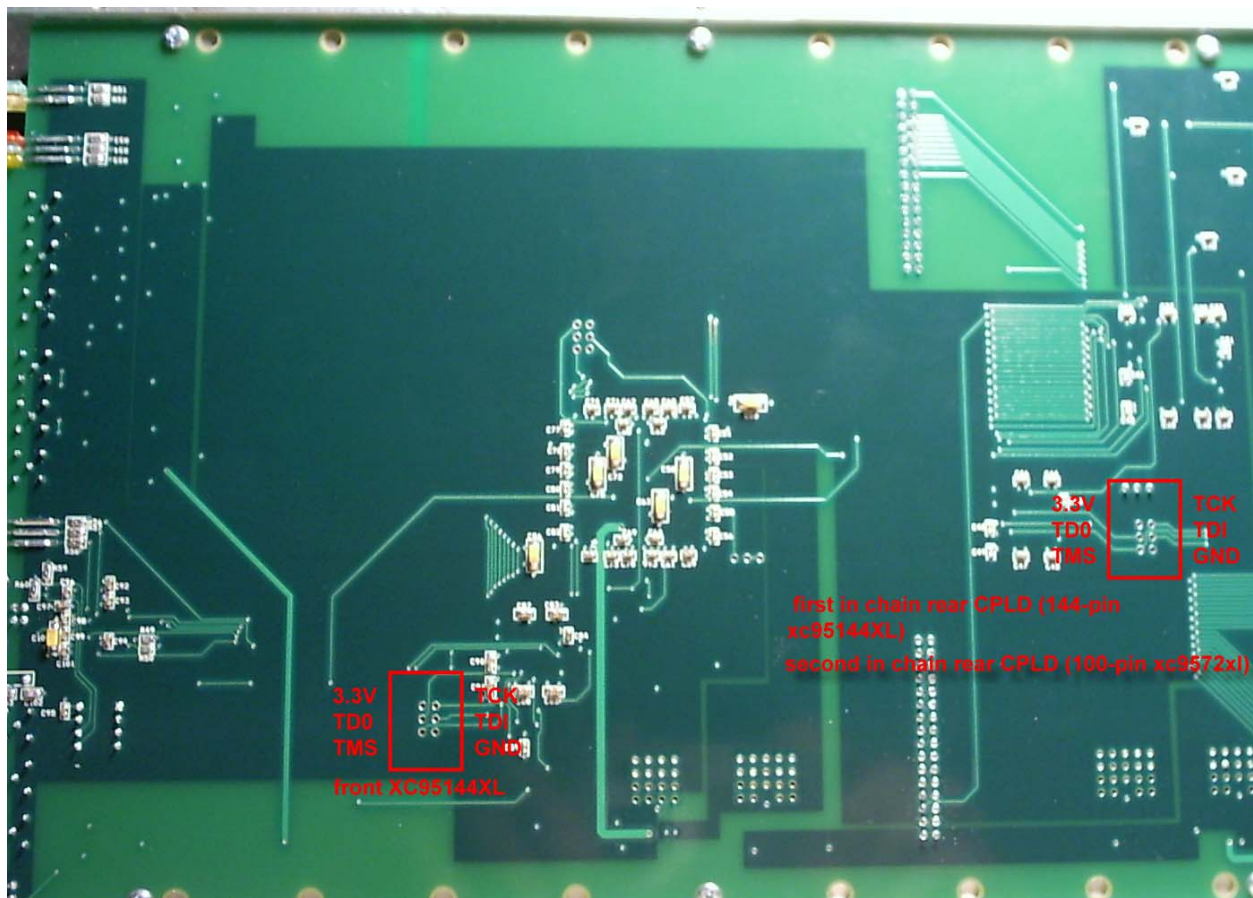
CC-USB CPLD Upgrade

Software: XILINX WebPACK_71

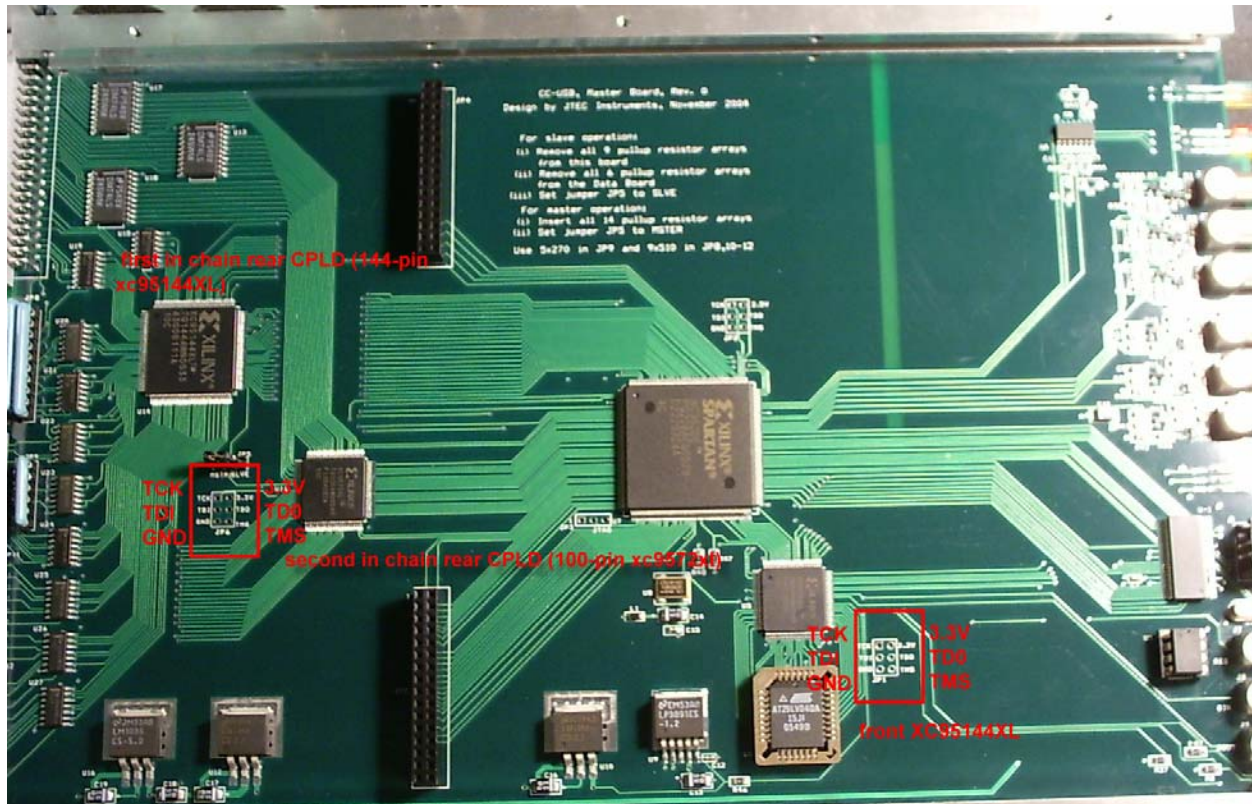
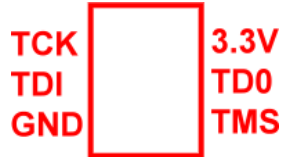
Tools: XILINX Programming adapter Parallel Cable DLC5 (see following pin layout)

Soldering side of Slot 25 (to be used for upgrade for units without header)

3.3V		TCK
TD0		TDI
TMS		GND

**CPLD files for CC-USB upgrade Broadcast:**

1. **cc-atmmgr_flash_040306** - for the front XC95144XL; manages programming of flash memory.
2. **CC_lammgr_brdest_041906** - for the first in chain rear CPLD (144-pin xc95144XL).
3. **cc_datamgr_021905** - for the second in chain rear CPLD (100-pin xc9572xl).

Component side (to be used for older versions, remove slot 24)CPLD files for CC-USB upgrade Broadcast:

1. **cc-atmmgr_flash_040306** - for the front XC95144XL; manages programming of flash memory.
2. **CC_lammgr_brdest_041906** - for the first in chain CPLD (144-pin xc95144XL).
3. **cc_datamgr_021905** - for the second in chain CPLD (100-pin xc9572xl).