

Analog Readout Board

Drawn by: Ernst Tobias

Checked by: Hartmann Ueli

Project: Mu3e

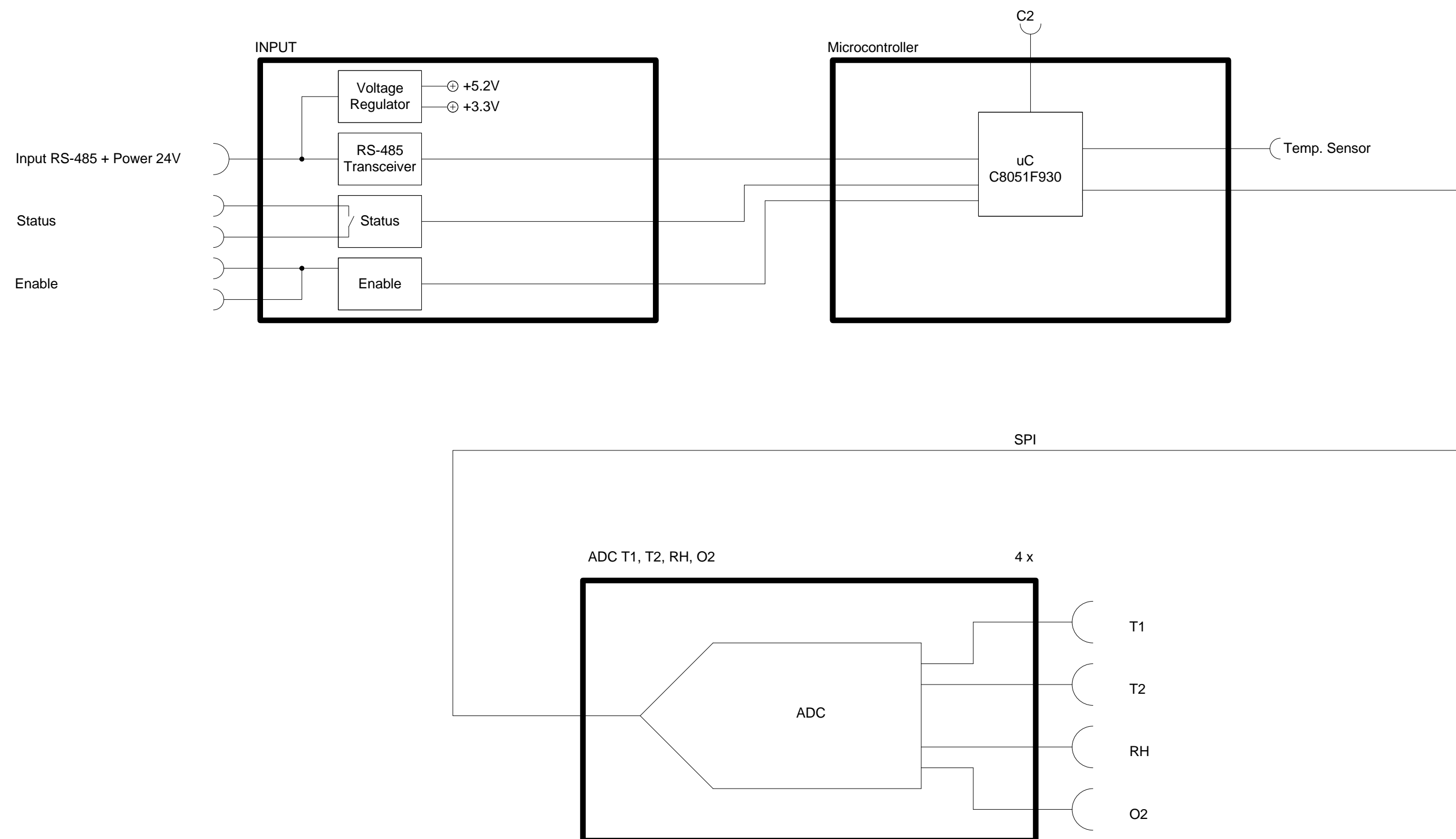
PCB No.: 78 / 221700A

Date: 20.04.2022

Contents

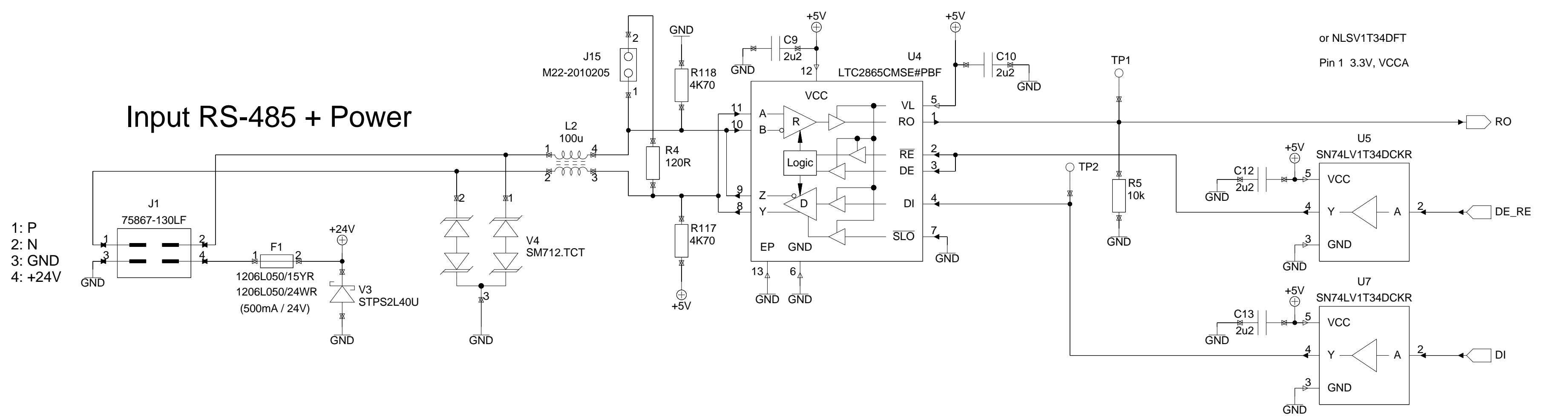
1. Info Page
2. Block diagram
3. Input
4. Power
5. Microcontroller
6. ADC Sensor
7. Input Connector

Block diagram



RS-485 Transceiver

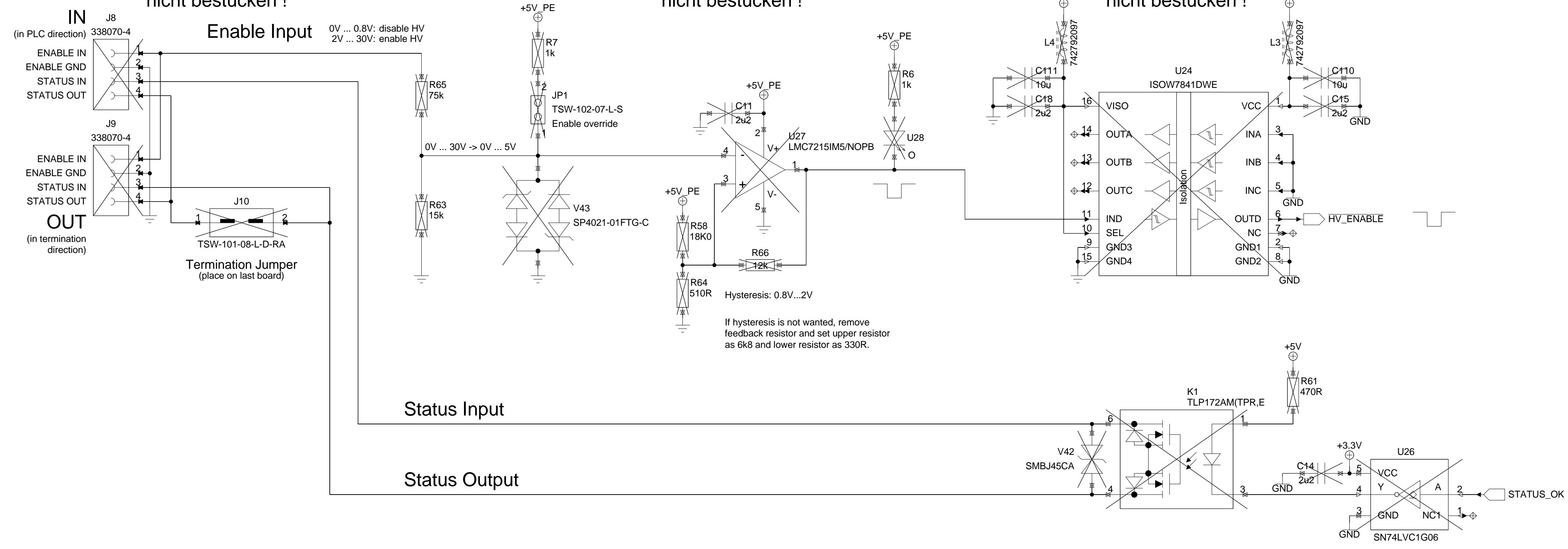
Input RS-485 + Power



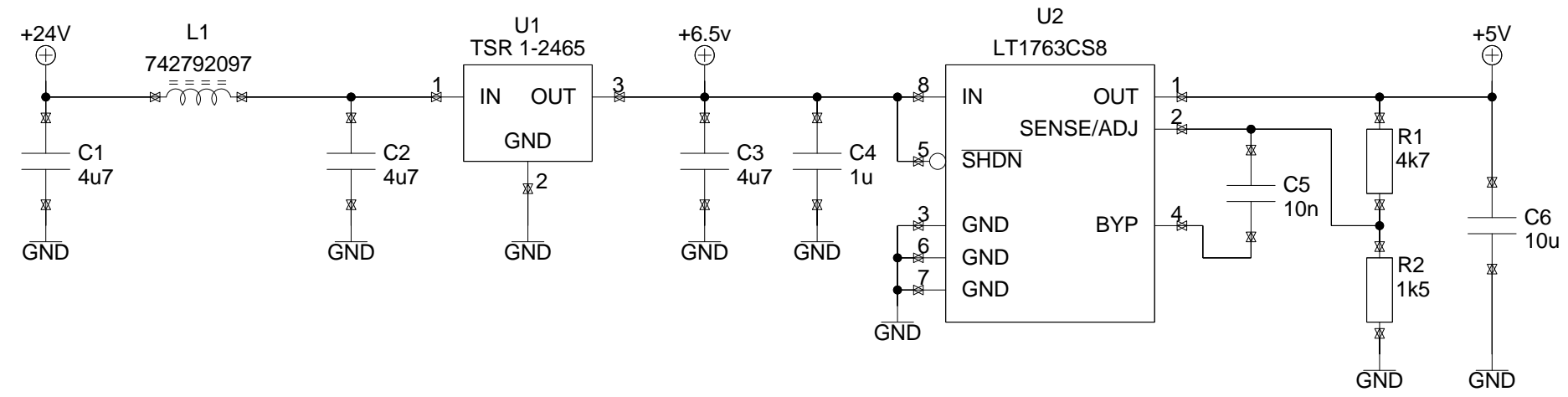
nicht bestücken !

nicht bestücken !

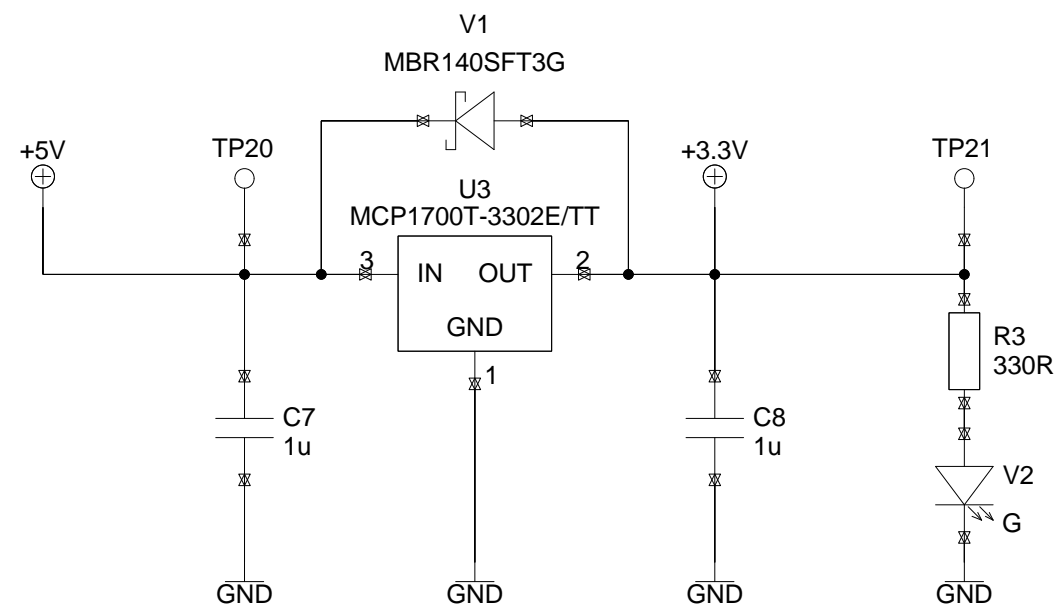
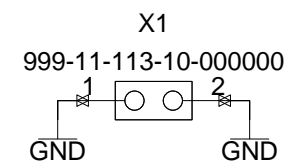
nicht bestücken !



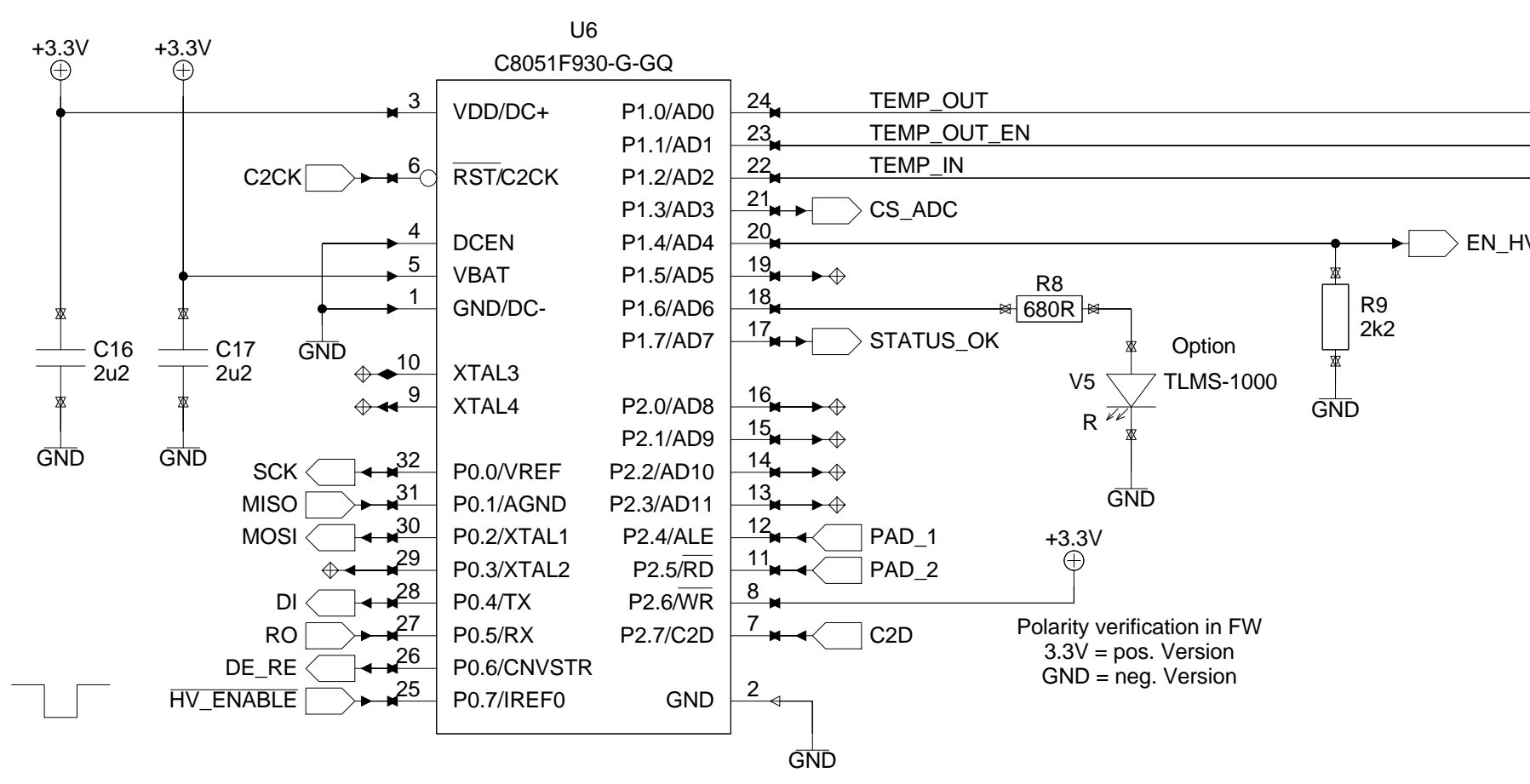
Voltage regulation



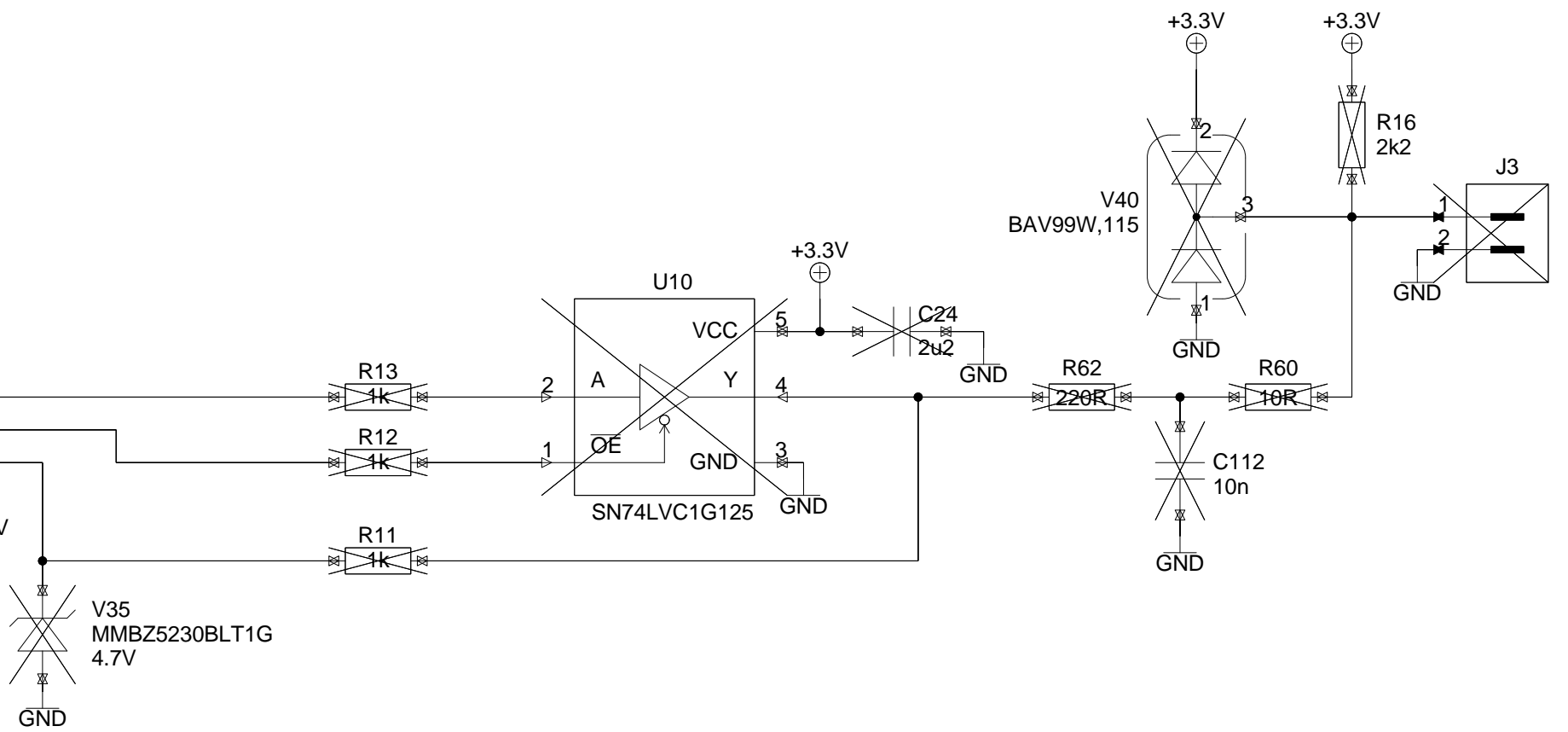
GND reference



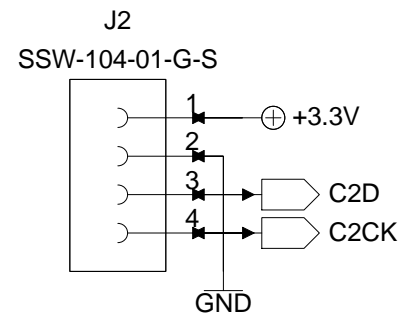
Microcontroller



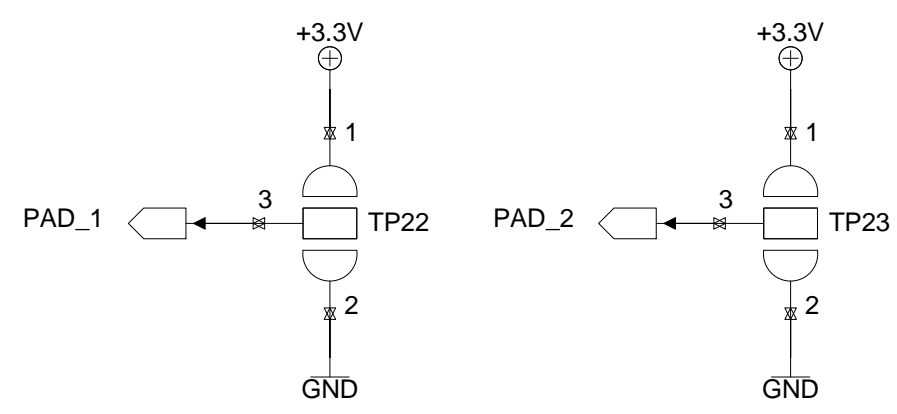
Temperature sensor (Option)

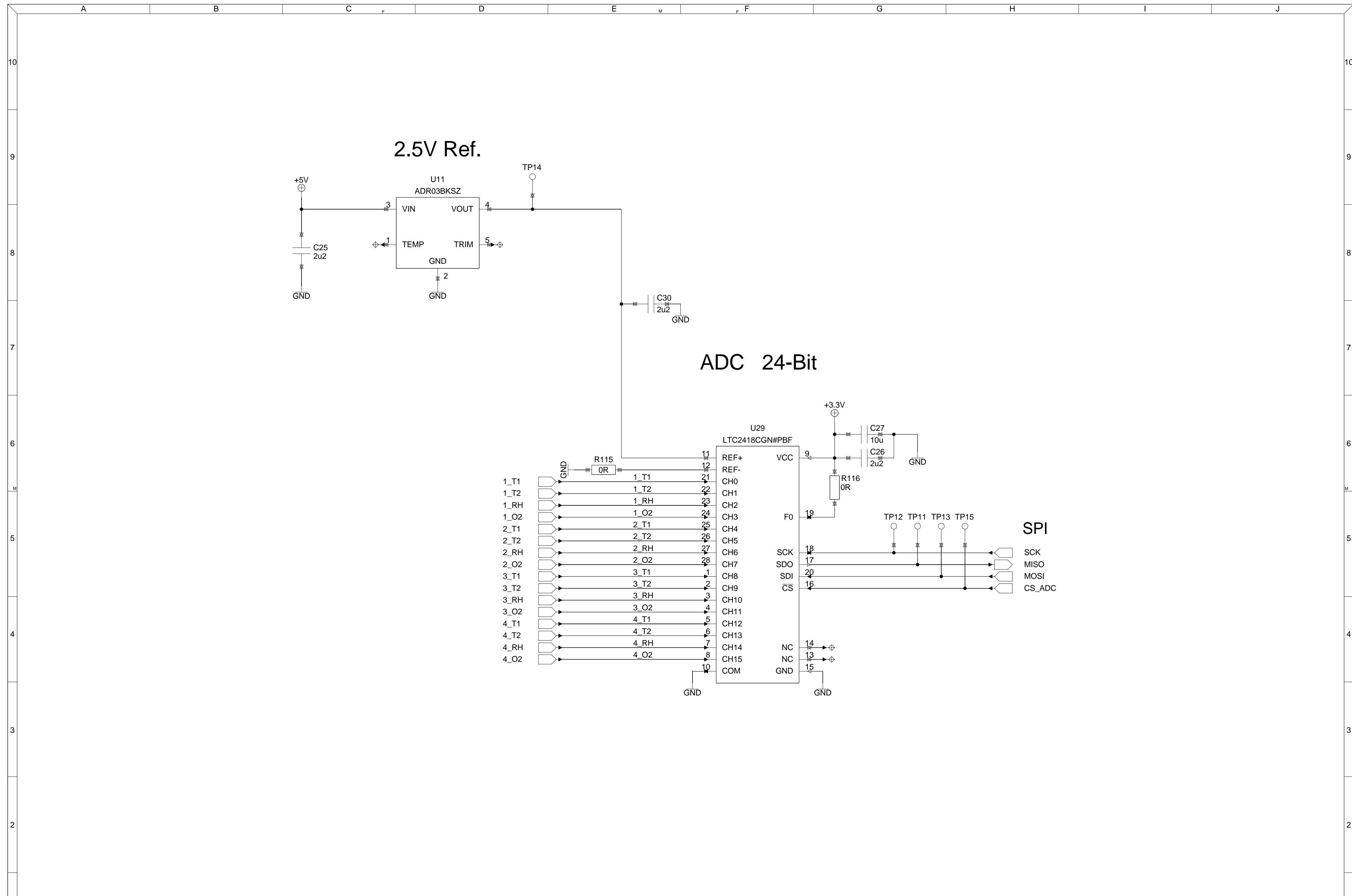



C2 programming interface



Soldering Pads uC





1 PAUL SCHERRER INSTITUT  CH 5232 Villigen - PSI	Department PSI PER 1381	Project: Mu3e	Developer: Ernst Tobias Florin	PCB No.: 221700	Rev: A	Size: A3
		Schematic: 192702	Drawn by: Ernst Tobias Florin	PCB Name: Analog_Readout_Board	Located at: TOP-TopTop	Block page: 6 of 9
		Sheet: DAC / HV ADC	Checked by:	Last Change: 02/06/2022:12:35	Block page: 6 of 9	Sheet No.: 6 Total: 9
		Mu3e Analog Readout Board for Sensor Units	Variant Name:	Date of Production: 26.06.2022	Sheet No.: 6 Total: 9	

Inputs connectors and filter

2.5K Ohm 0805, 0.1%, Mouser
RN732ATTD2501B25

