

SiPM-HV-P +120V

Drawn by: Liechti Mario

Checked by: Hartmann Ueli

Project: Mu3e

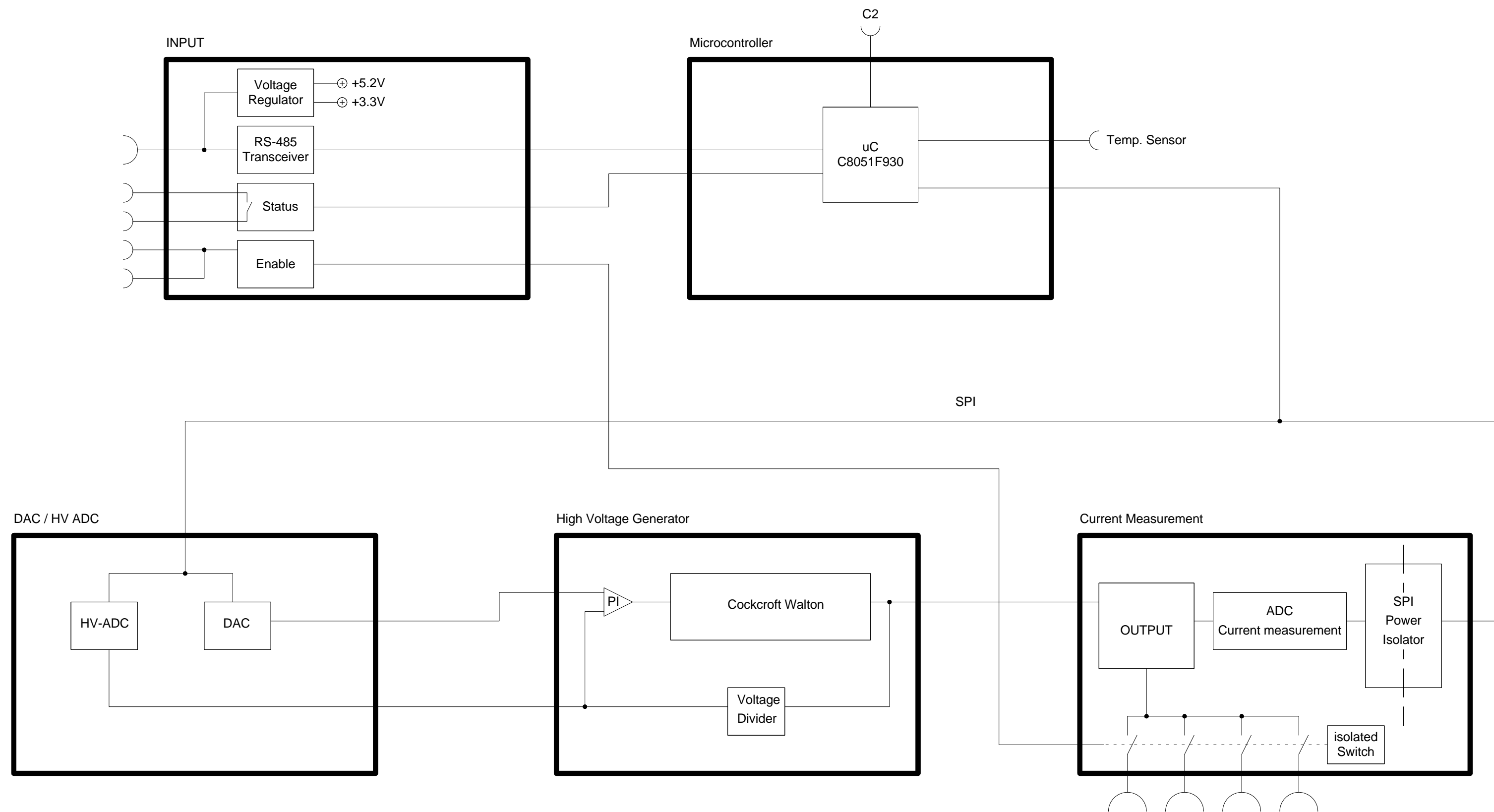
PCB No.: 78 / 192702B

Date: 16.04.2021

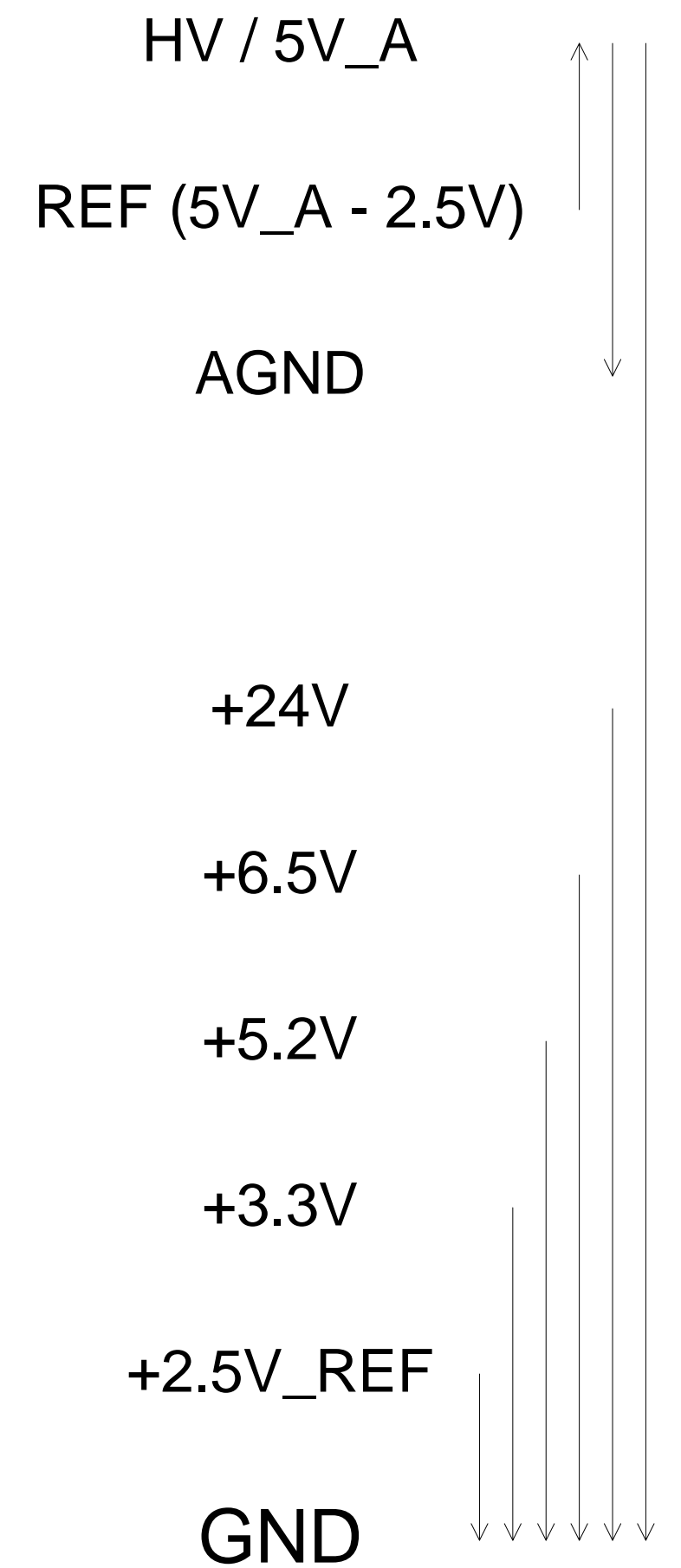
Contents

1. Info Page
2. Block diagram
3. Input
4. Power
5. Microcontroller
6. DAC / HV ADC
7. Cockcroft Walton
8. Current measurement
9. Output

Block diagram

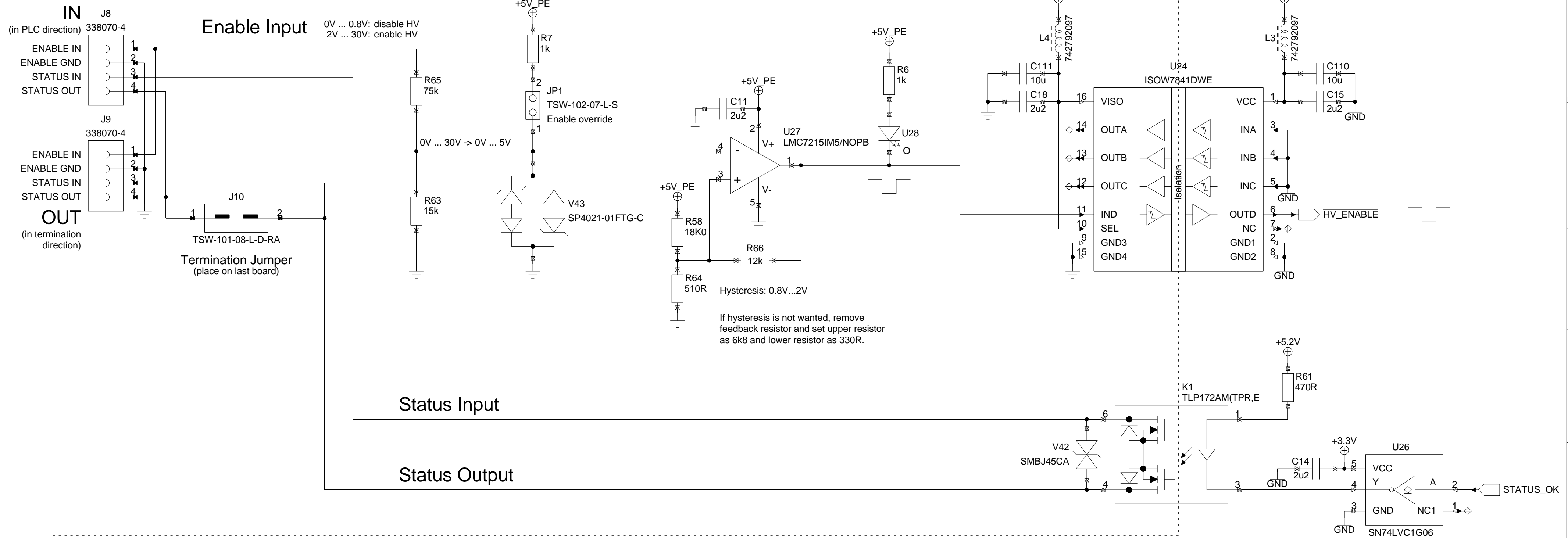
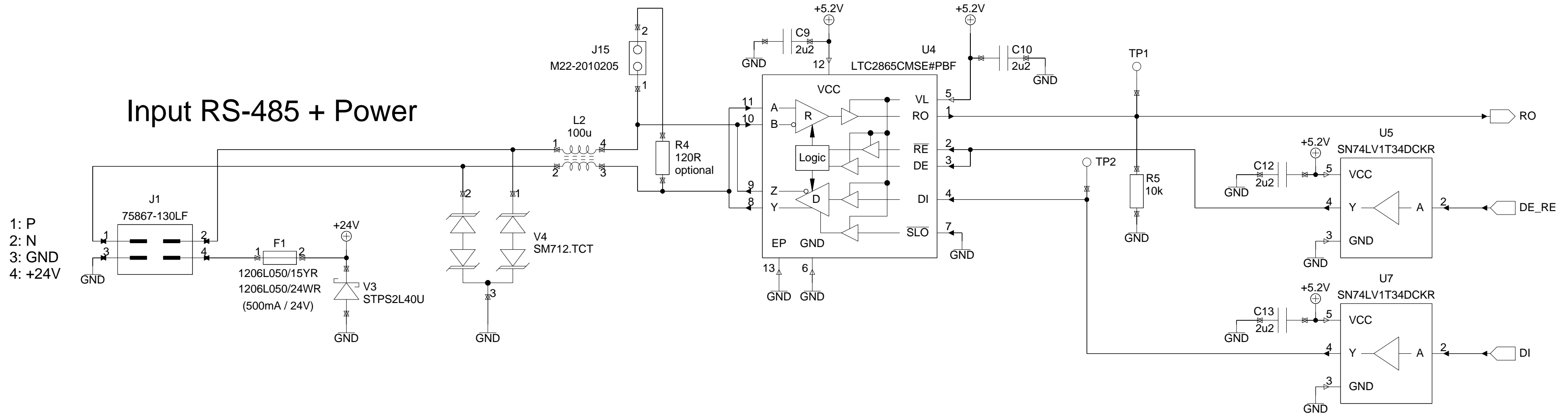


Voltage relations

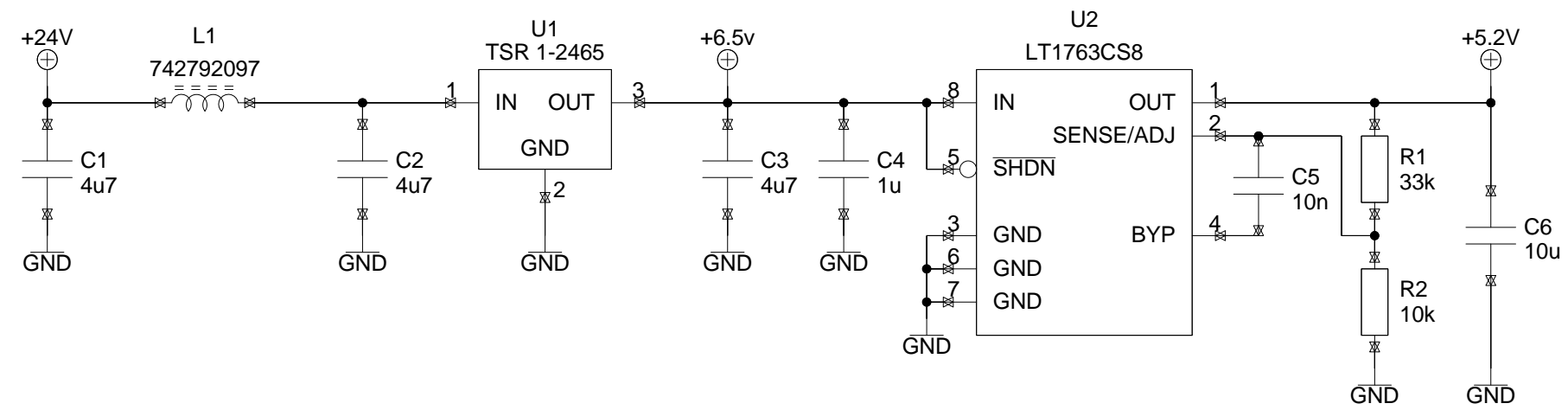


RS-485 Transceiver

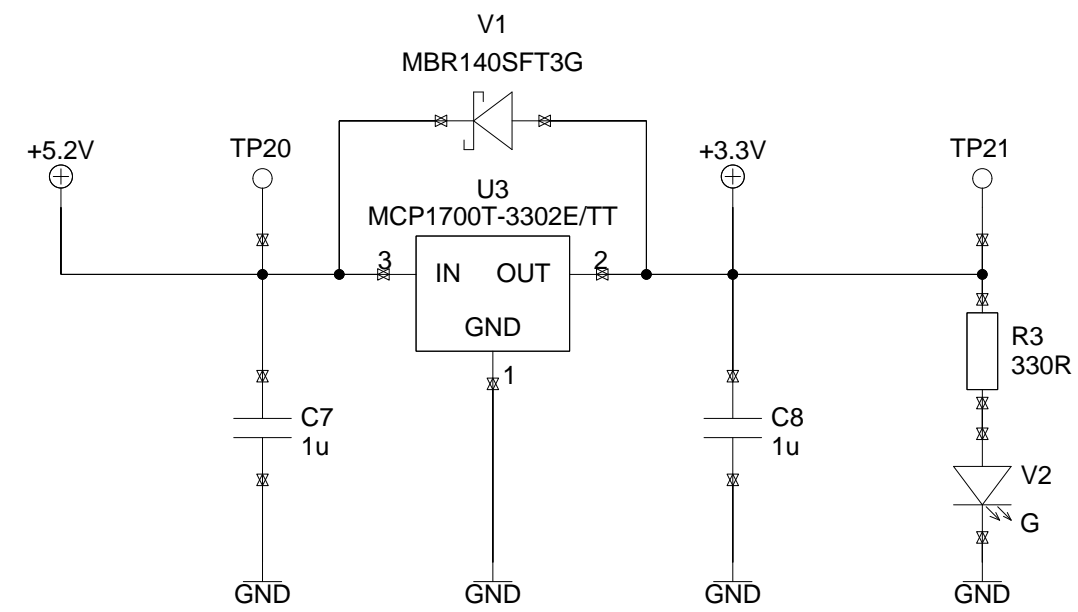
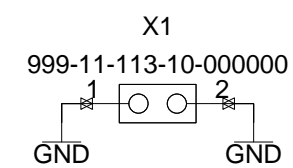
Input RS-485 + Power



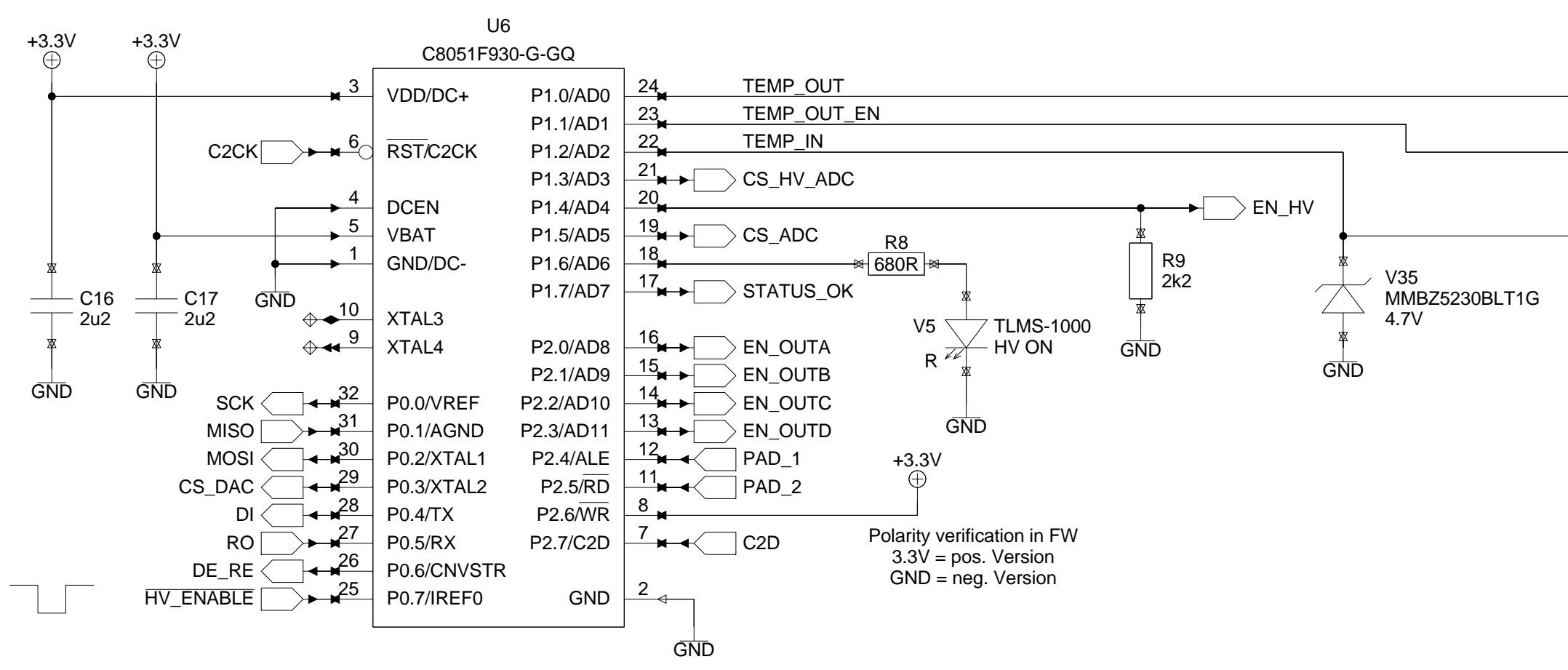
Voltage regulation



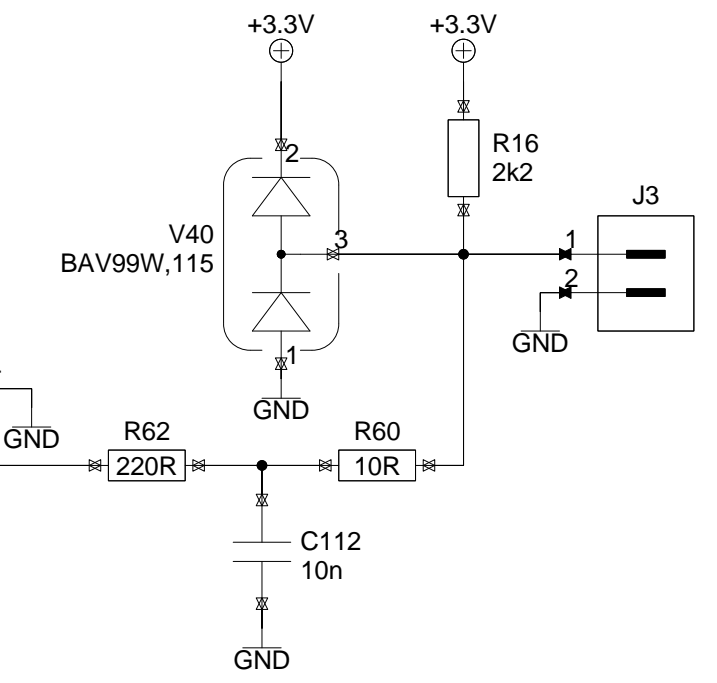
GND reference



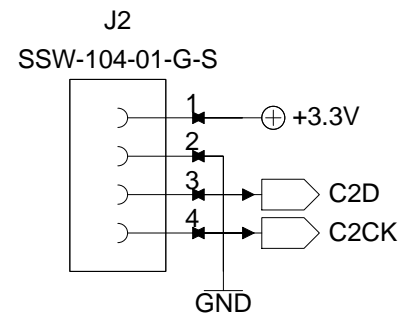
Microcontroller



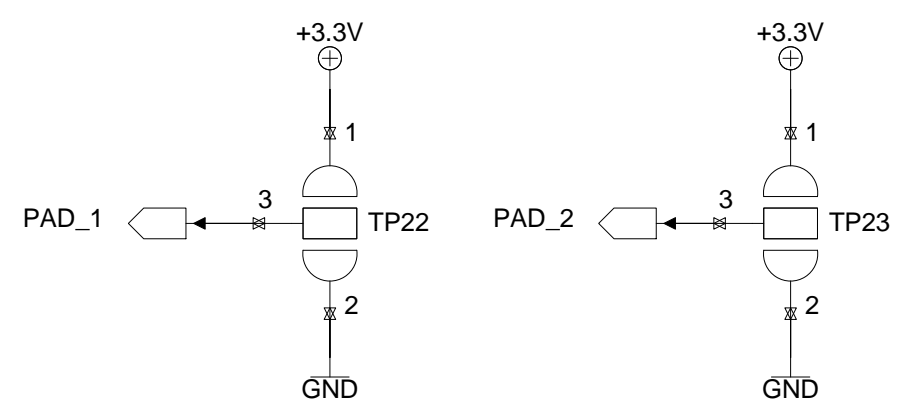
Temperature sensor

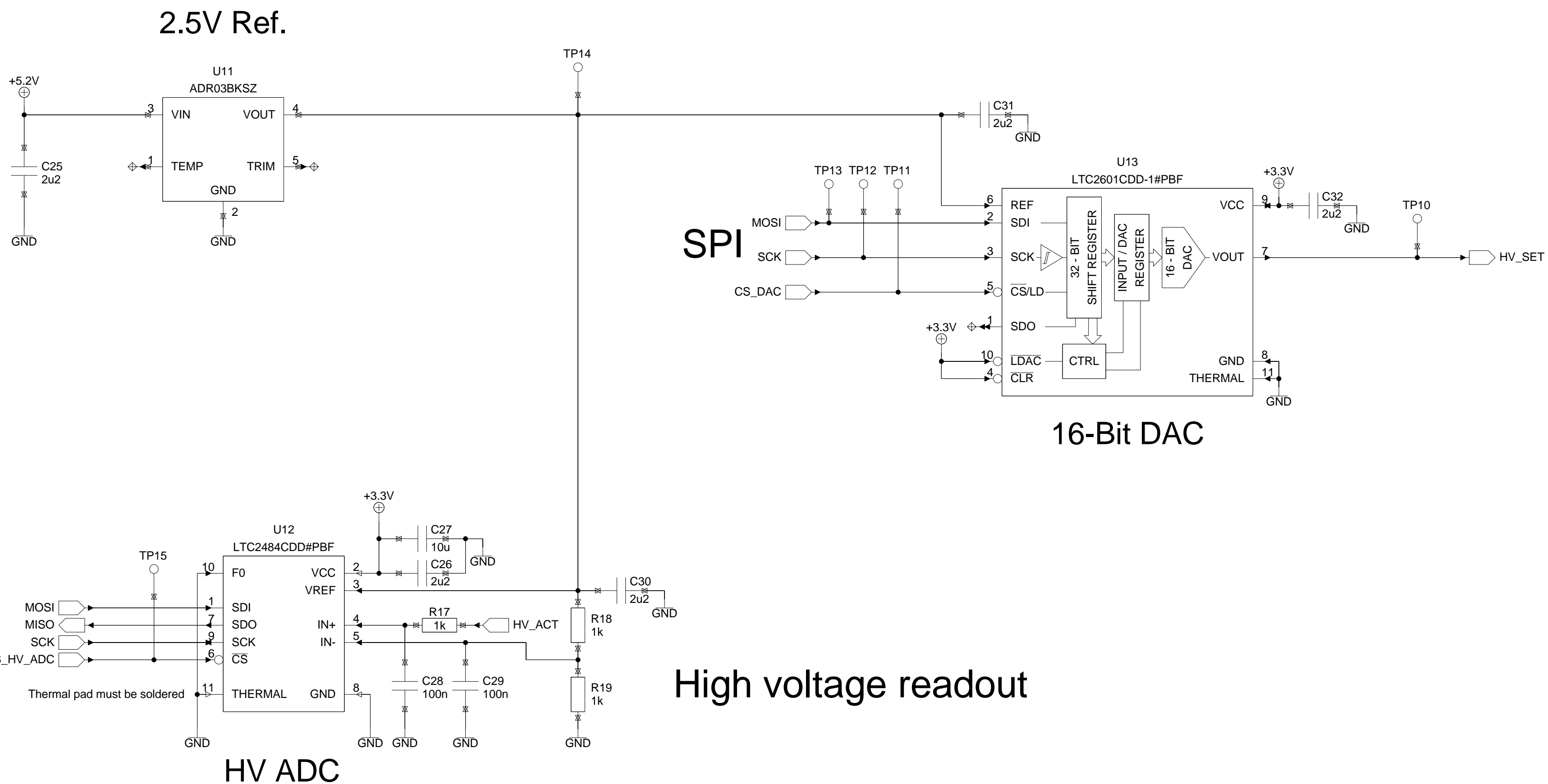


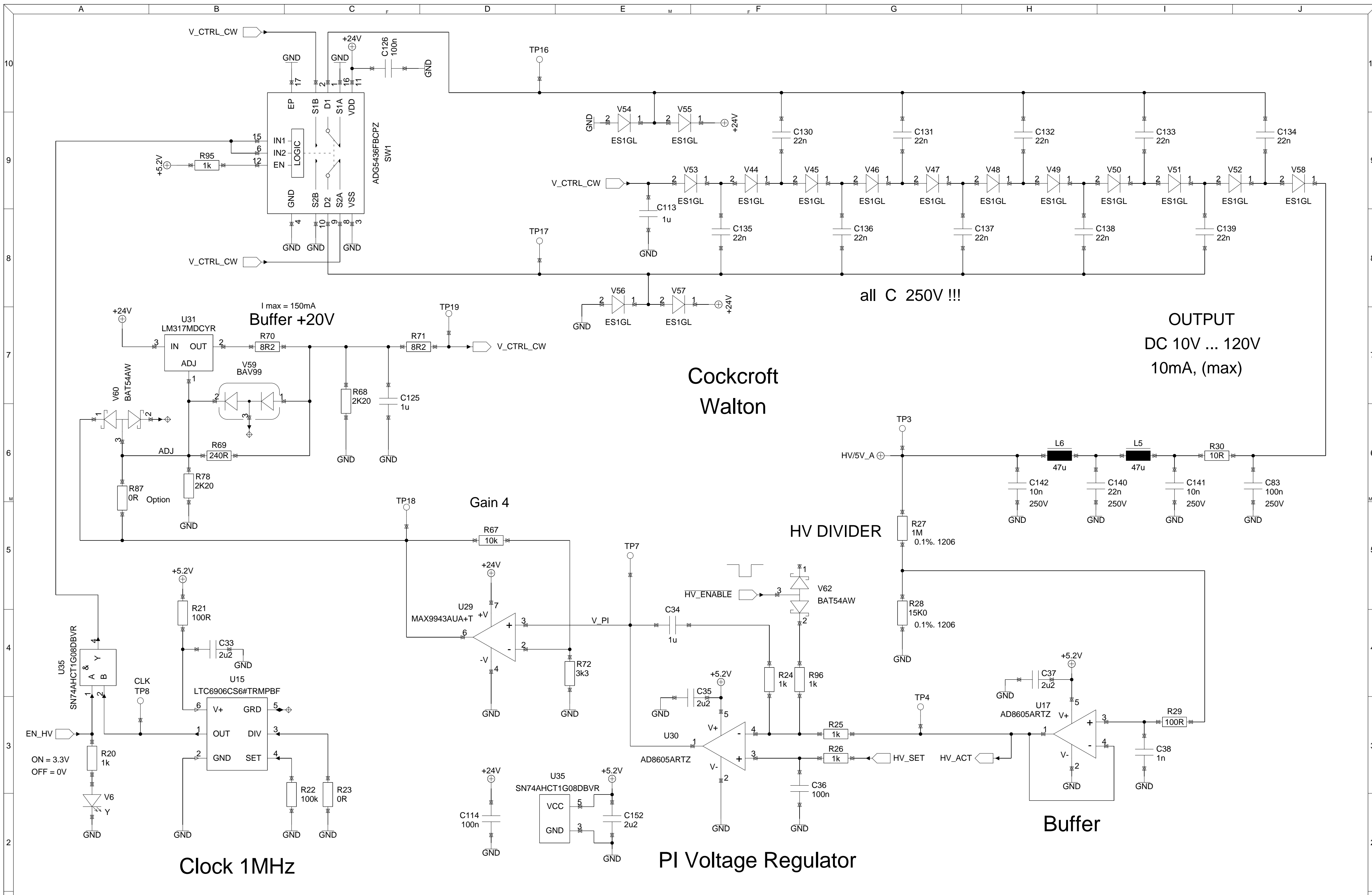
C2 programming interface



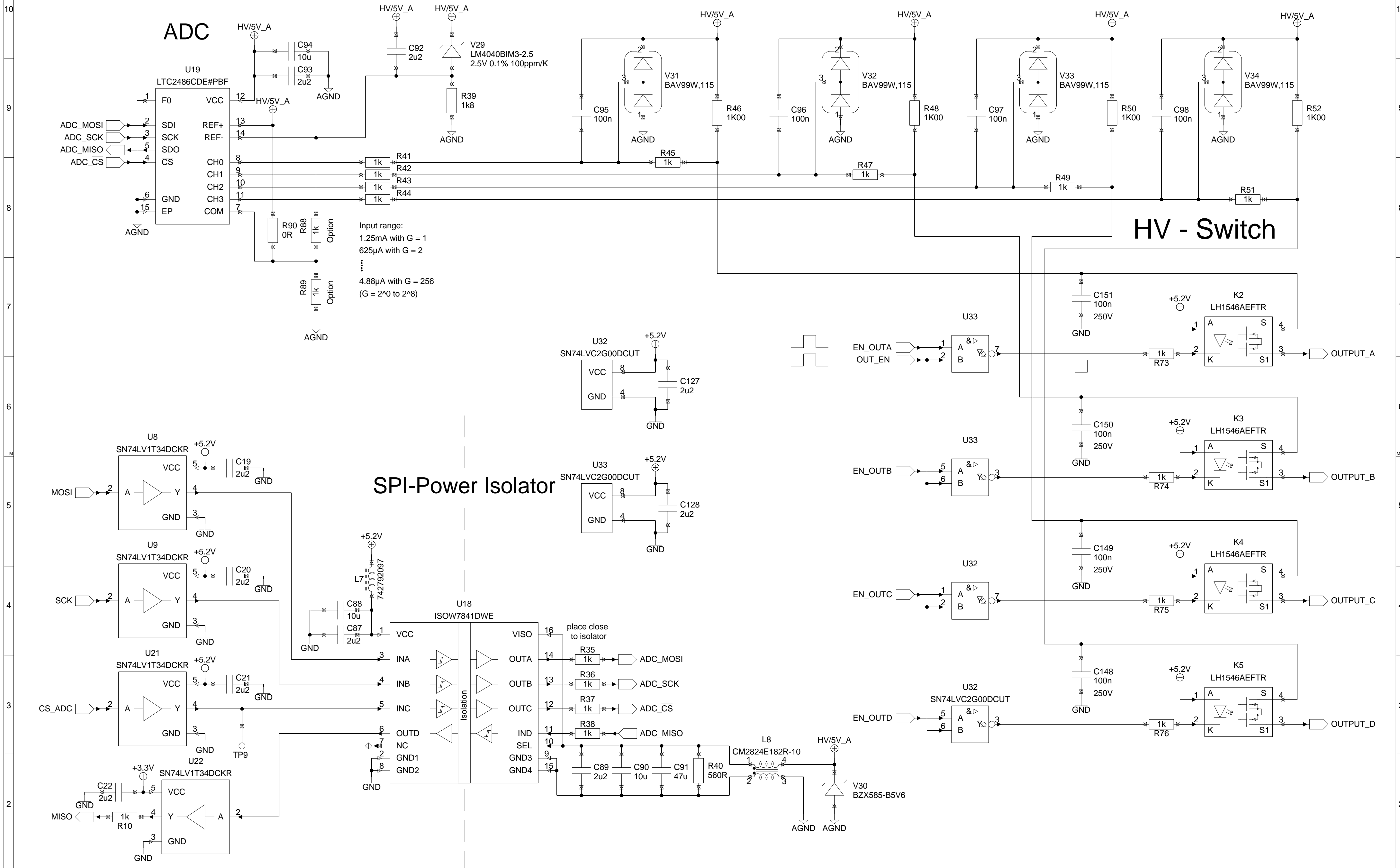
Soldering Pads uC







Current measurement



Outputs with discharge switch

