
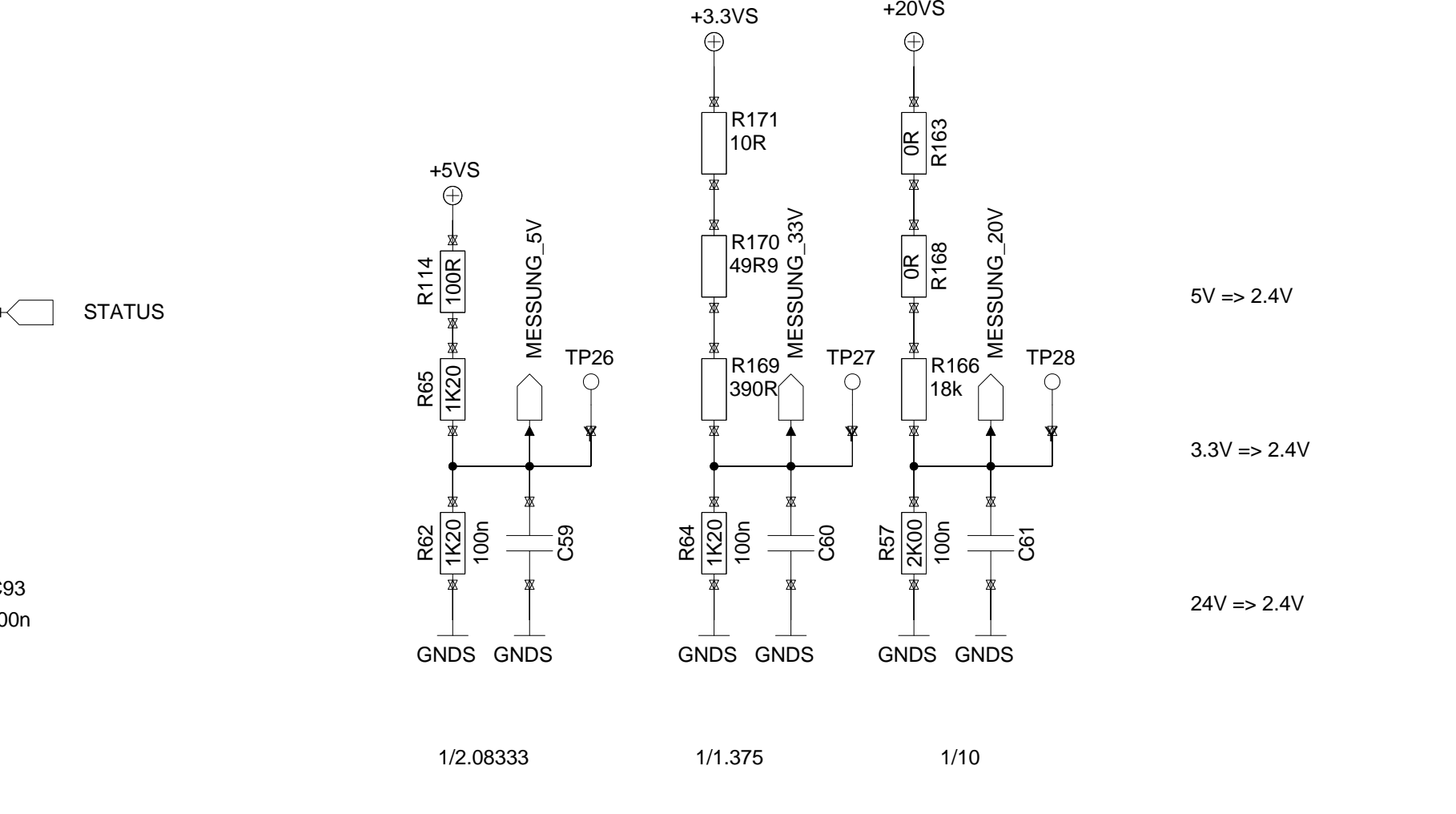
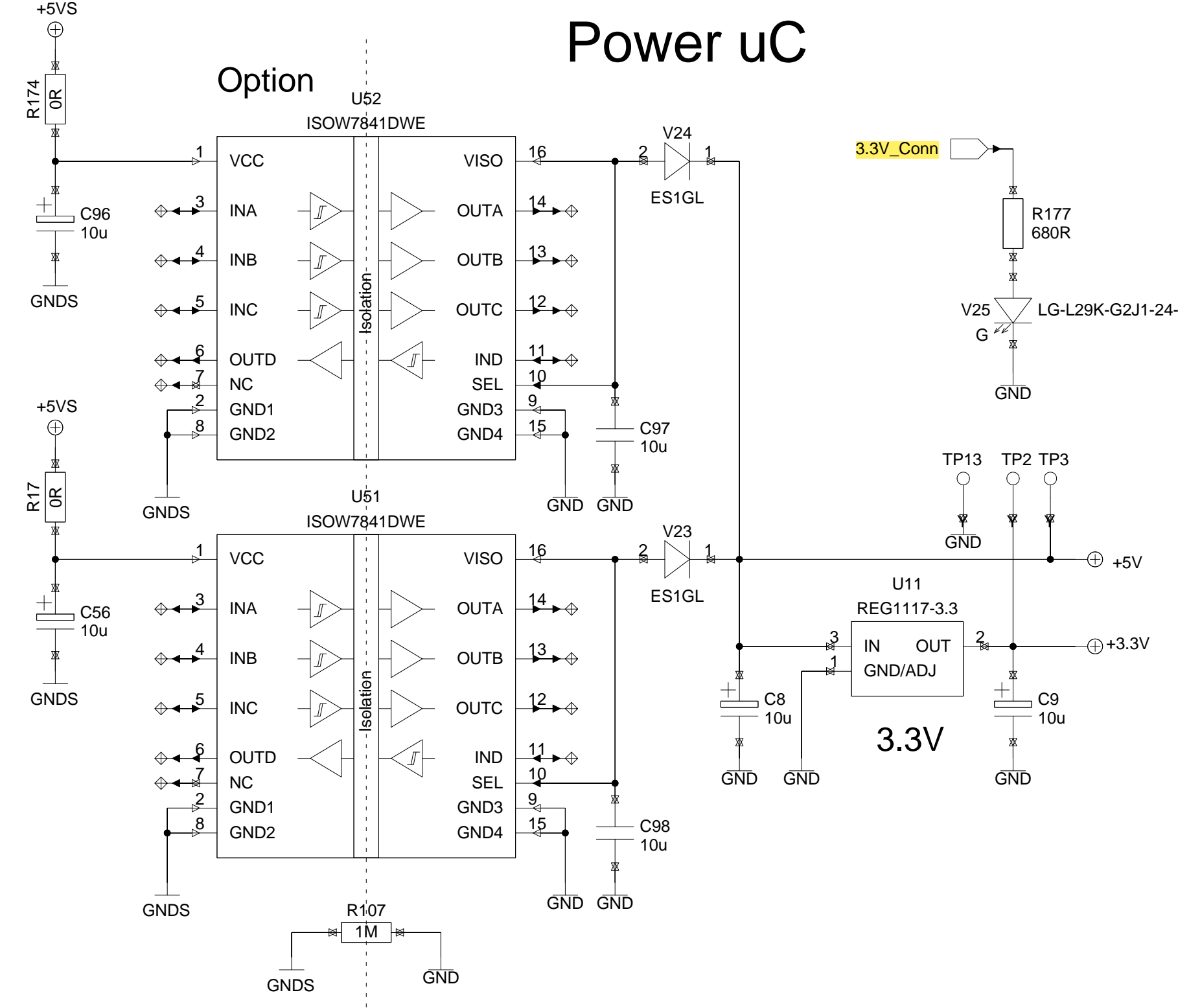
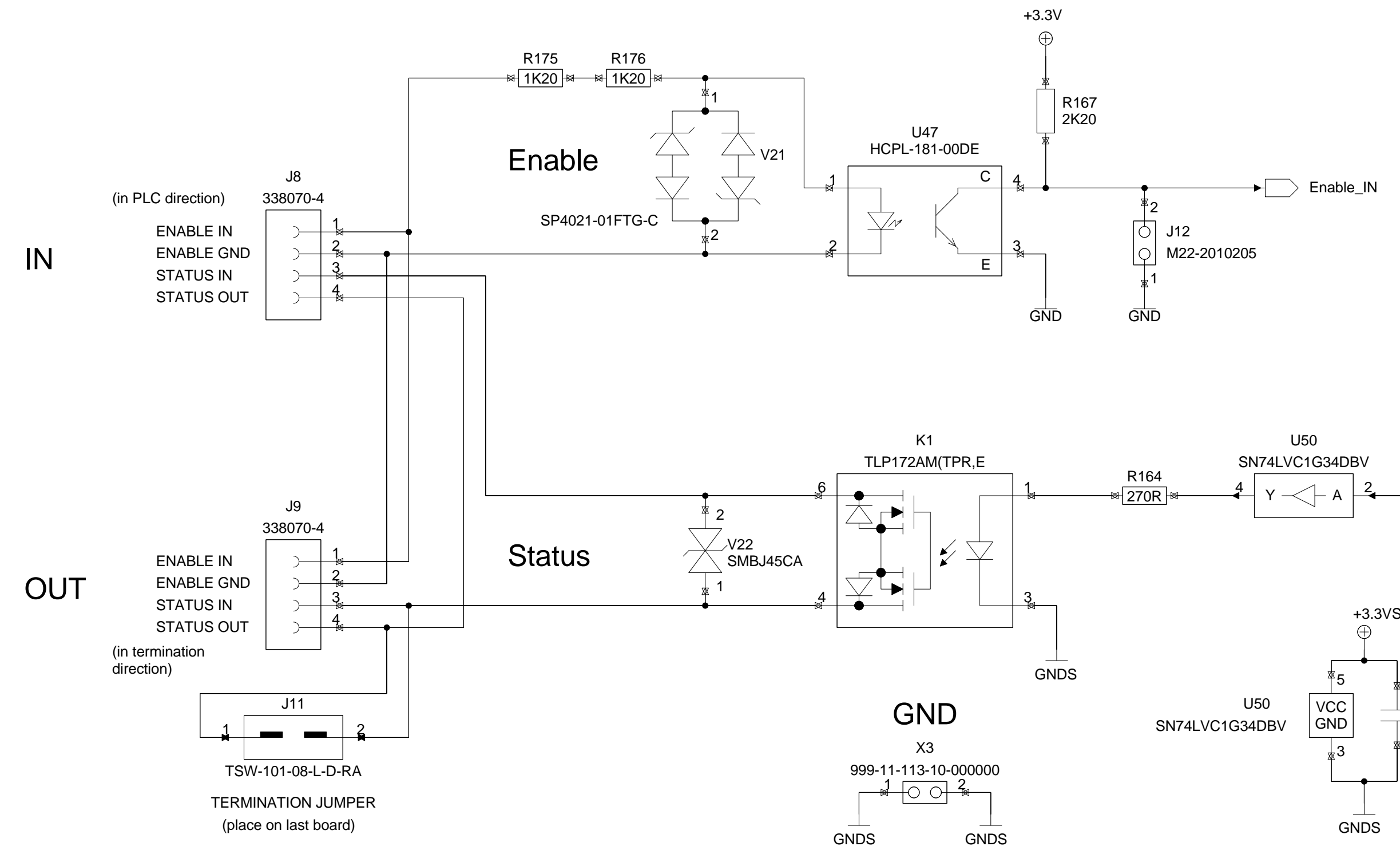
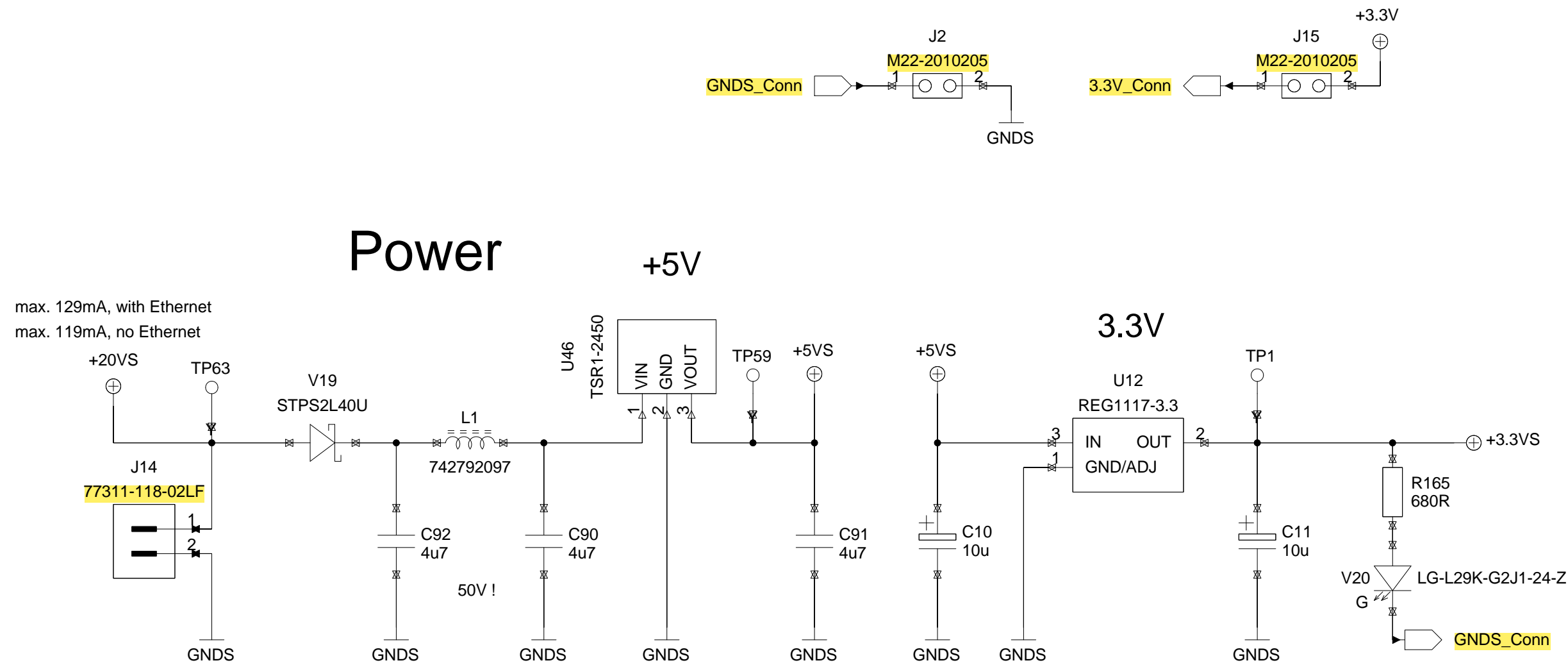


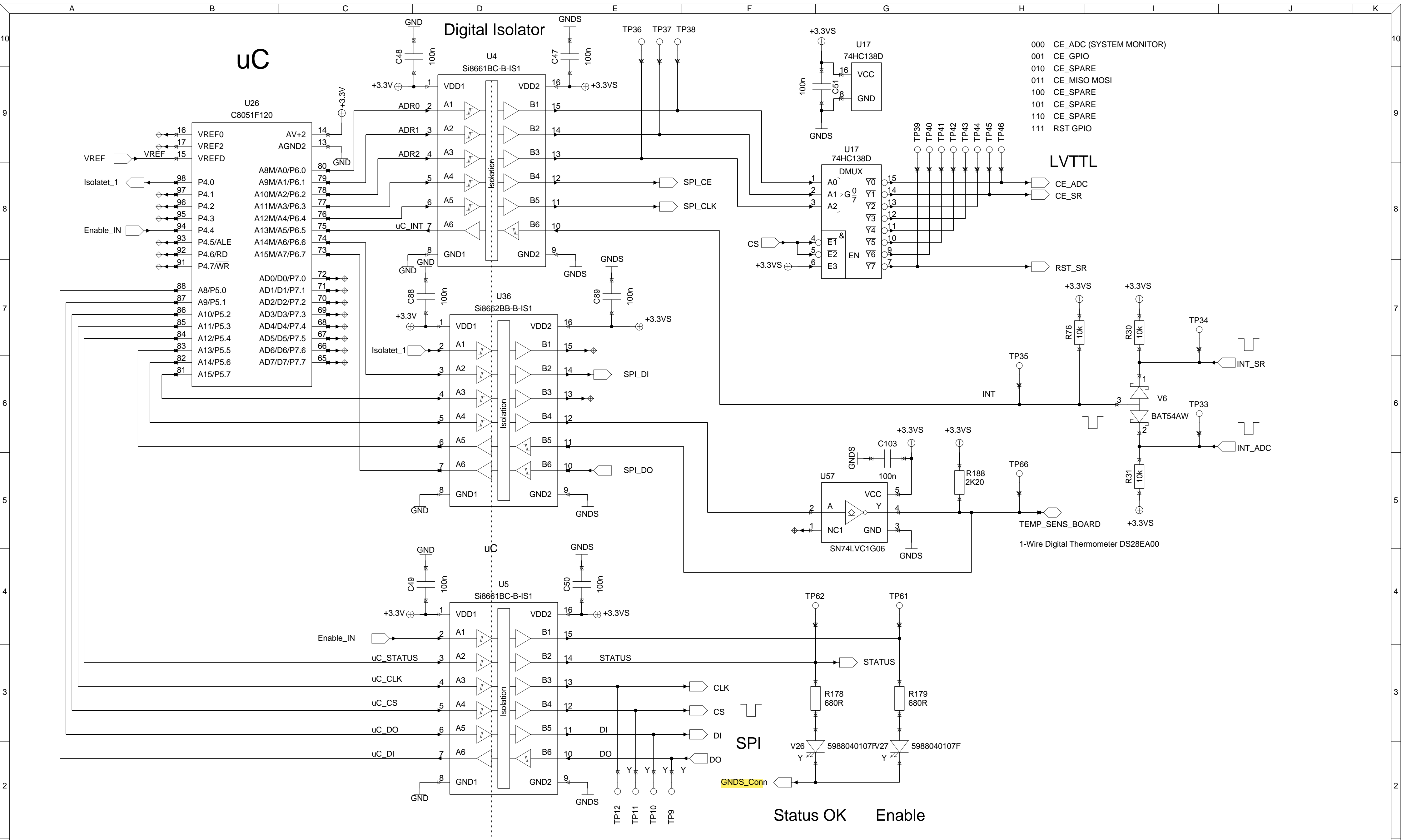
# Mu3e FE Controller

24.08.2021

 PAUL SCHERRER INSTITUT CH 5232 Villigen - PSI	Department PM Berufsbildung 1381	Project: Mu3e	Developer: Ernst Tobias	PCB Nr: 201301	Rev: B	Size: A4
		Schematic: Top	Sheet: Title	Drawn by: Ernst Tobias	PCB Name: Mu3e_FE_Controller	Located at: TOP-TopTop
				Checked by:	Date Changed:	Block page: 1 of 10
				Variant Name:	Date of prod. data:	Sheet Nr.: 1 Total: 9





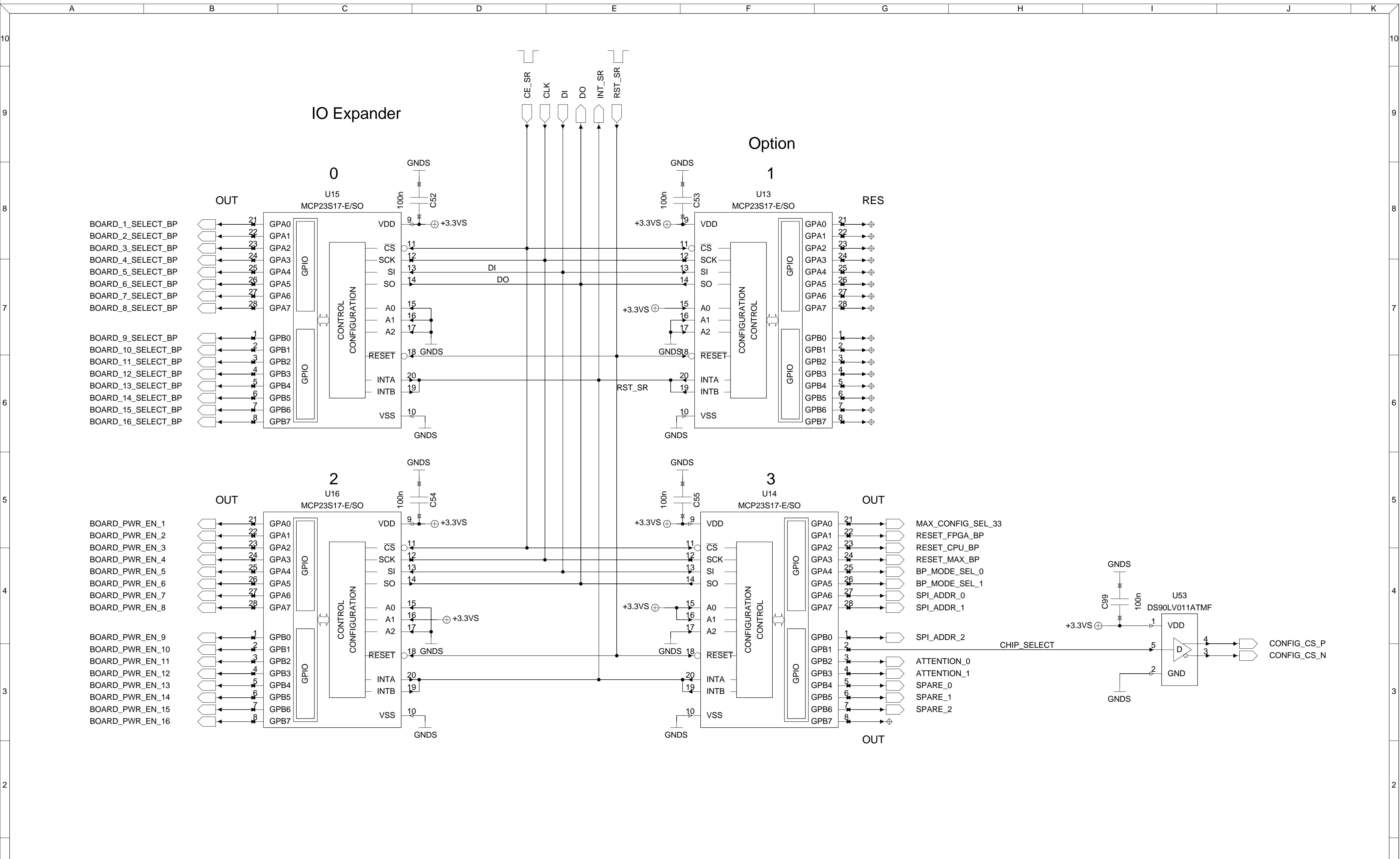


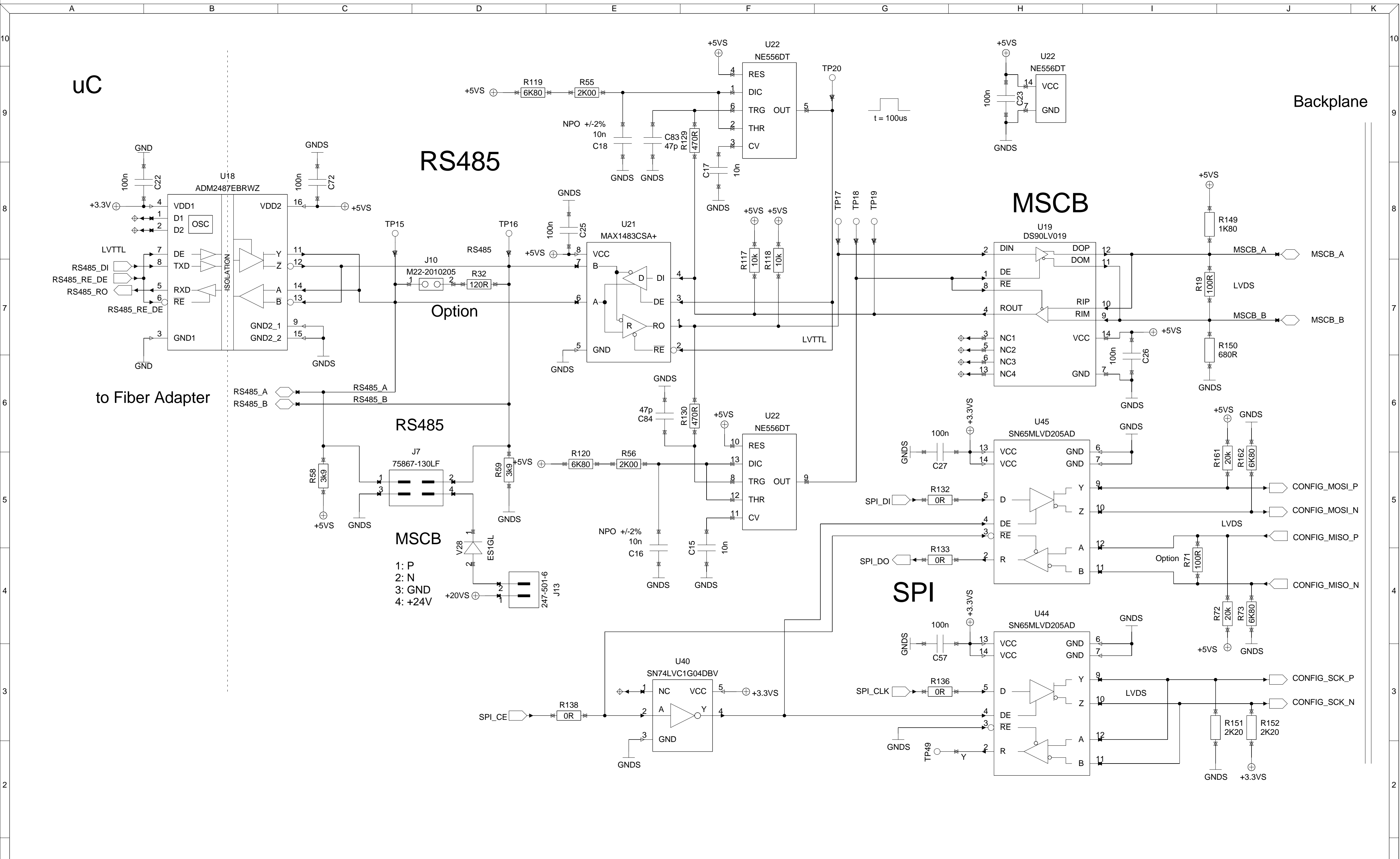
- 000 CE\_ADC (SYSTEM MONITOR)
- 001 CE\_GPIO
- 010 CE\_SPARE
- 011 CE\_MISO MOSI
- 100 CE\_SPARE
- 101 CE\_SPARE
- 110 CE\_SPARE
- 111 RST\_GPIO


LVTTL

SPI

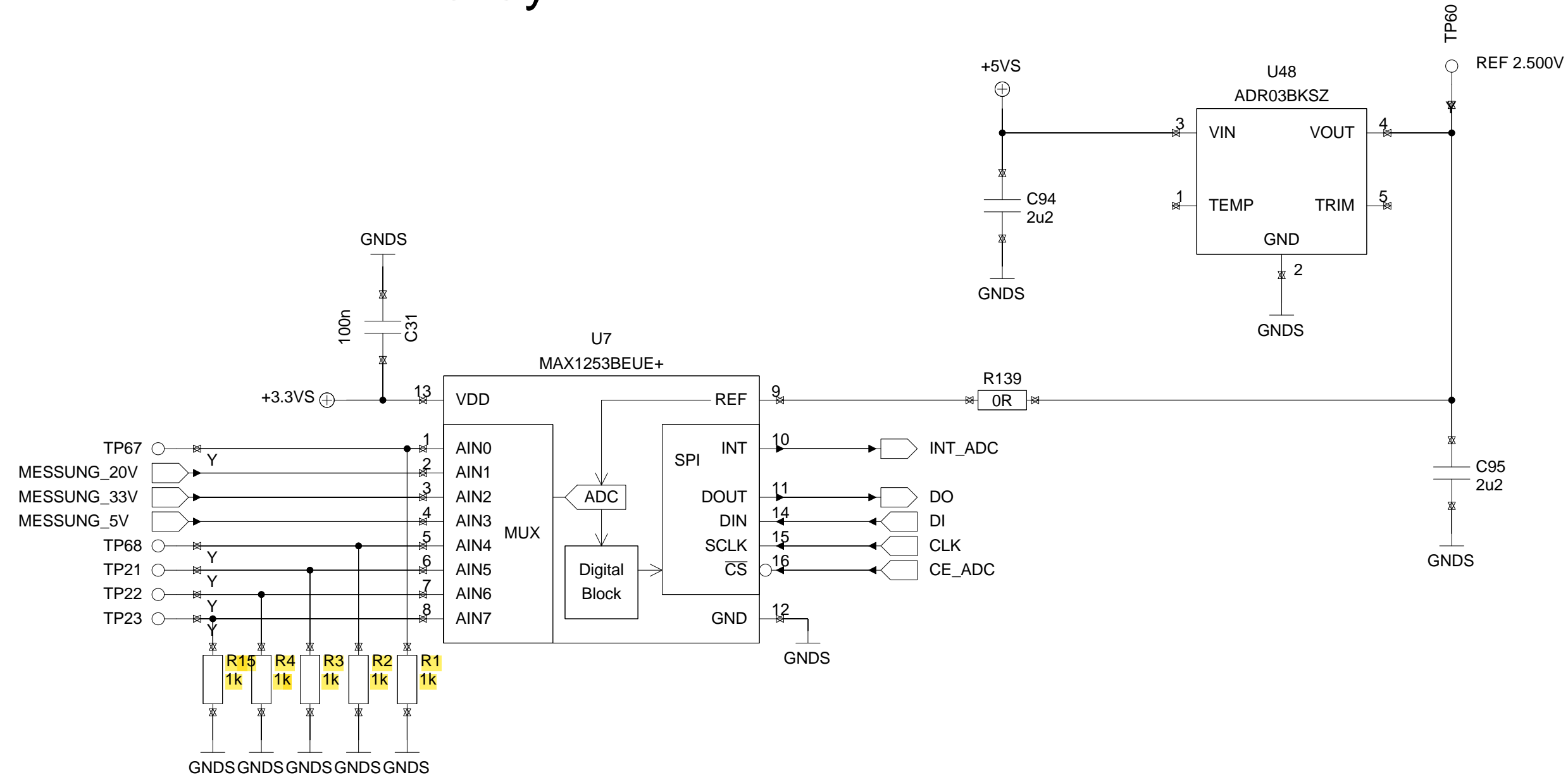
Status OK Enable



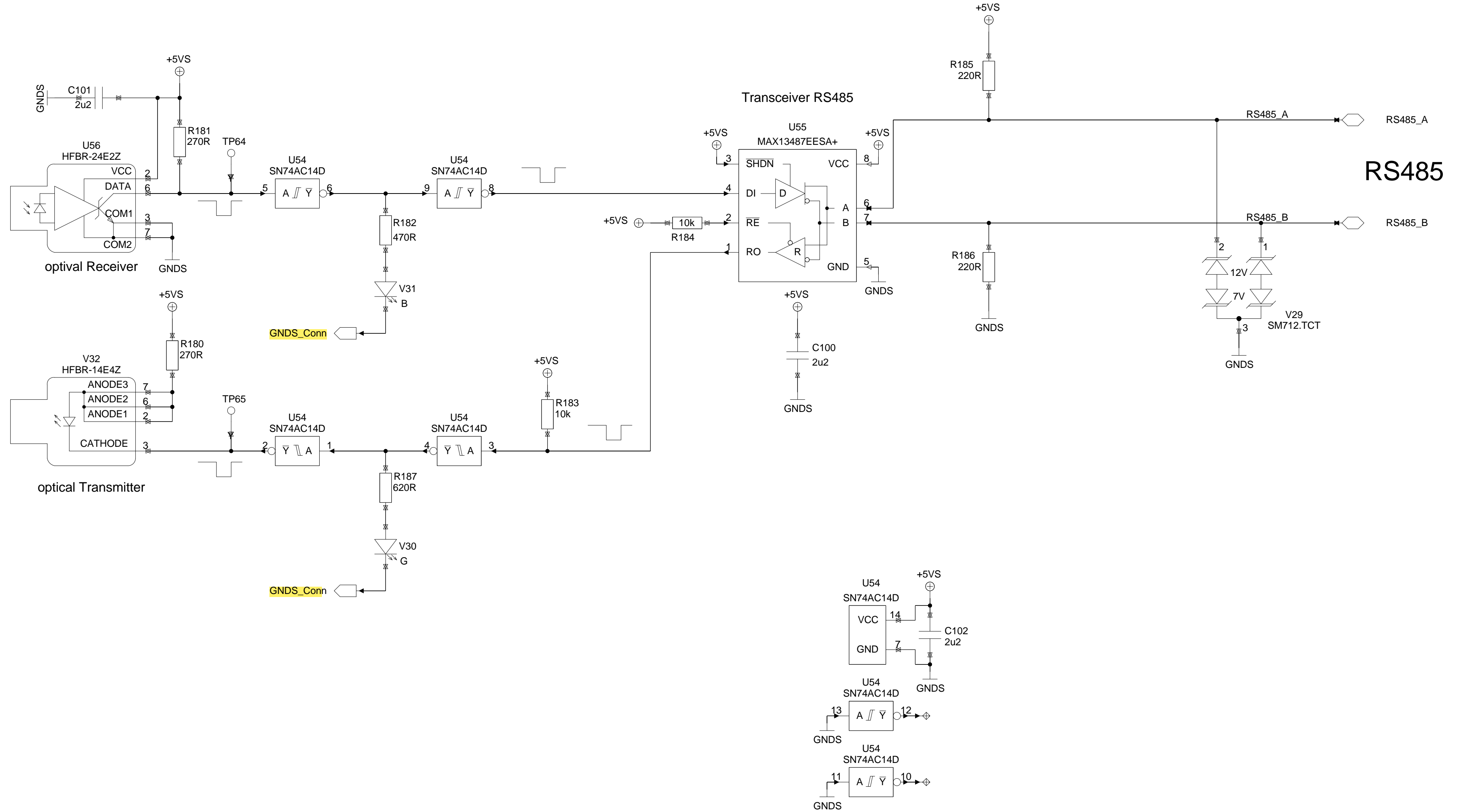


PAUL SCHERRER INSTITUT  CH 5232 Villigen - PSI	Department PM	Project: Mu3e Schematic: Top	Sheet: RS485	Developer: Ernst Tobias	PCB Nr: 201301	Rev: B	Size: A4	
	Berufsbildung 1381			Drawn by: Ernst Tobias	PCB Name: Mu3e_FE_Controller	Located at: TOP-TopTop		
				Checked by:	Date Changed: 24/08/2021:14:00	Block page: 7 of 10		
				Variant Name:	Date of prod. data:	Sheet Nr.: 6	Total: 9	

# ADC System Monitor



# MSCB Fiber Adapter





# Samtec, QTH-030-01-L-D-RA-PGP

