
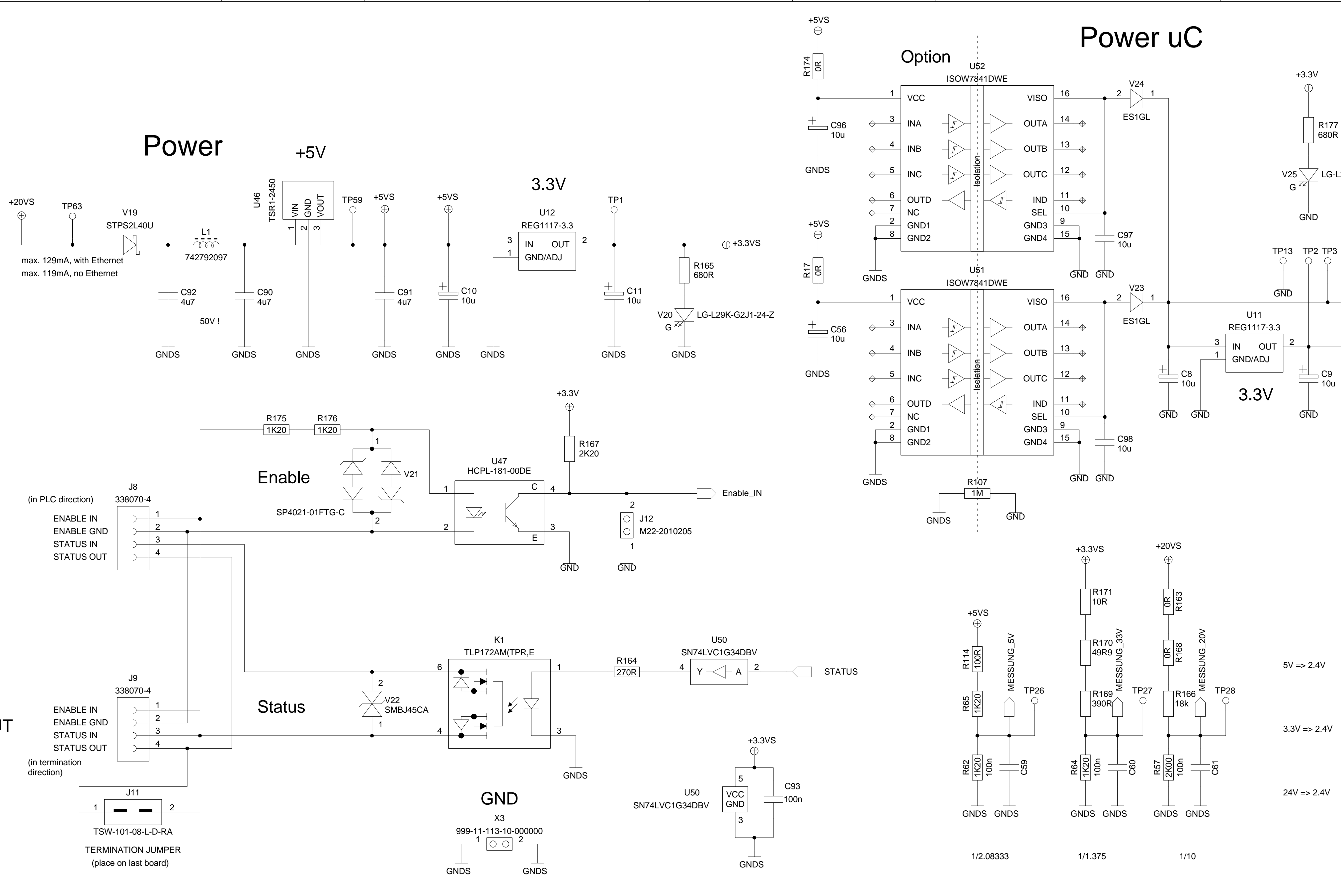


Mu3e FE Controller

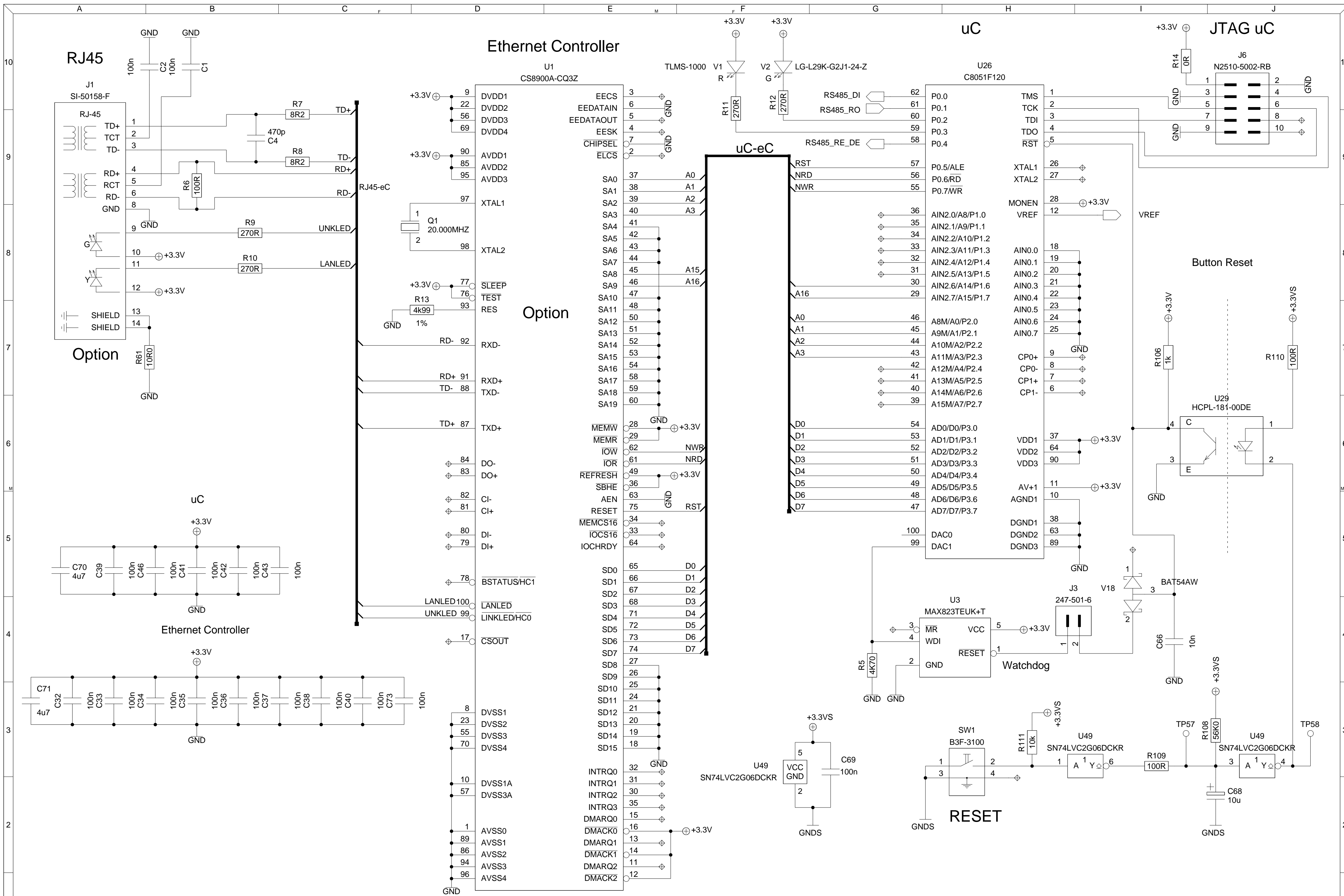
25.02.2021

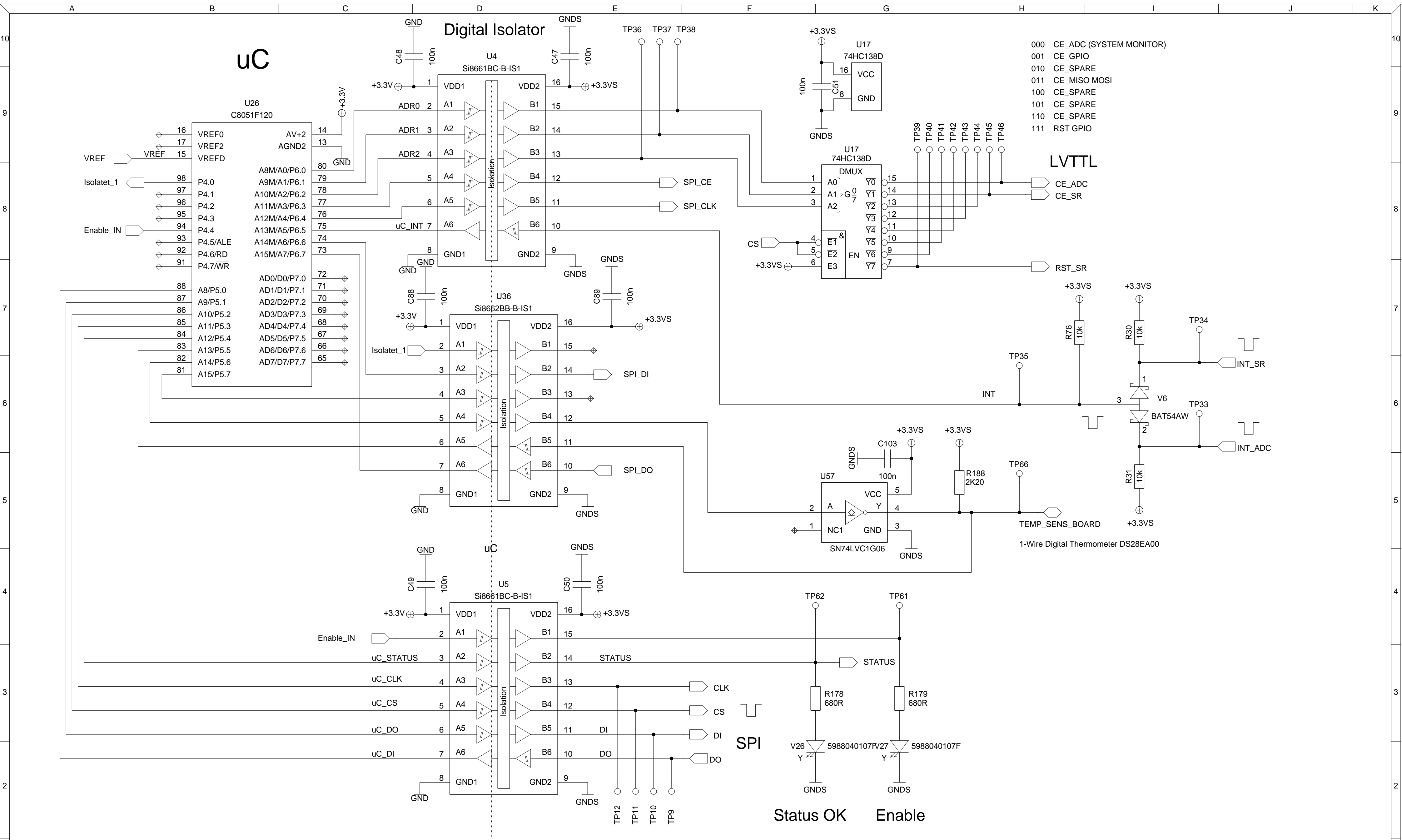
 PAUL SCHERRER INSTITUT CH 5232 Villigen - PSI	Department	Project: Mu3e Schematic: Top	Sheet: Title	Developer:	Hartmann Ueli	PCB Nr:	201301	Rev: A	Size: A4
	NUM			Drawn by:	Hartmann Ueli	PCB Name:	Mu3e_FE_Controller	Located at:	TOP-TopTop
	LTP			Checked by:		Date Changed:	25/02/2021:12:30	Block page:	1 of 10
	3205			Variant Name:		Date of prod. data:		Sheet Nr.: 1	Total: 10

A B C D E F G H I J K



 PAUL SCHERRER INSTITUT 5232 Villigen - PSI	Department NUM LTP 3205	Project: Mu3e Schematic: Top Sheet: Power Bitte Copie von 48/140900/E	Developer: Hartmann Ueli Drawn by: Hartmann Ueli Checked by: Variant Name:	PCB Nr: 201301 PCB Name: Mu3e_FE_Controller Date Changed: 25/02/2021:12:30 Date of prod. data:	Rev: A Located at: TOP-TopTop Block page: 2 of 10 Sheet Nr.: 2 Total: 10	Size: A4 Total: 10
---	----------------------------------	--	---	---	---	-----------------------



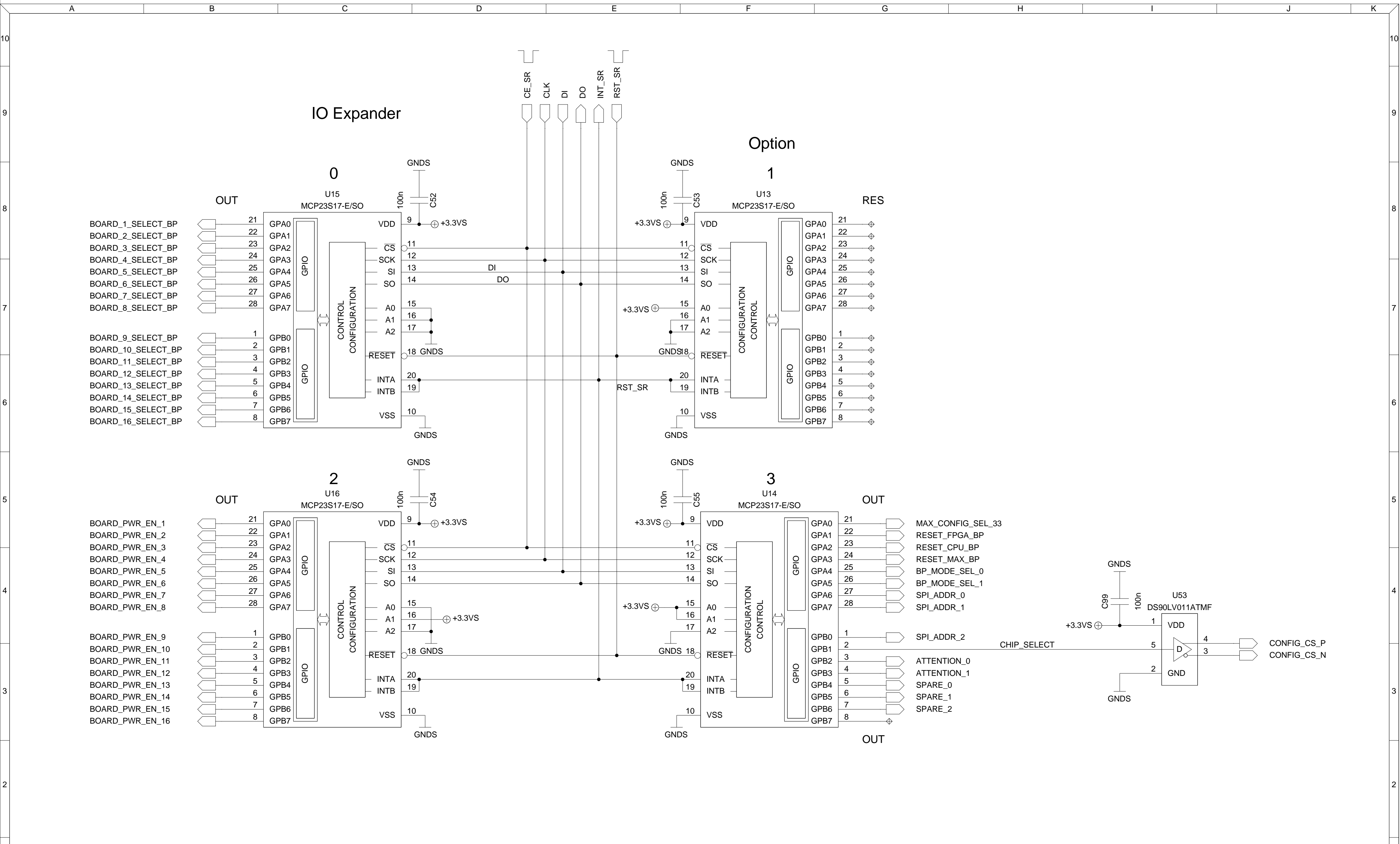


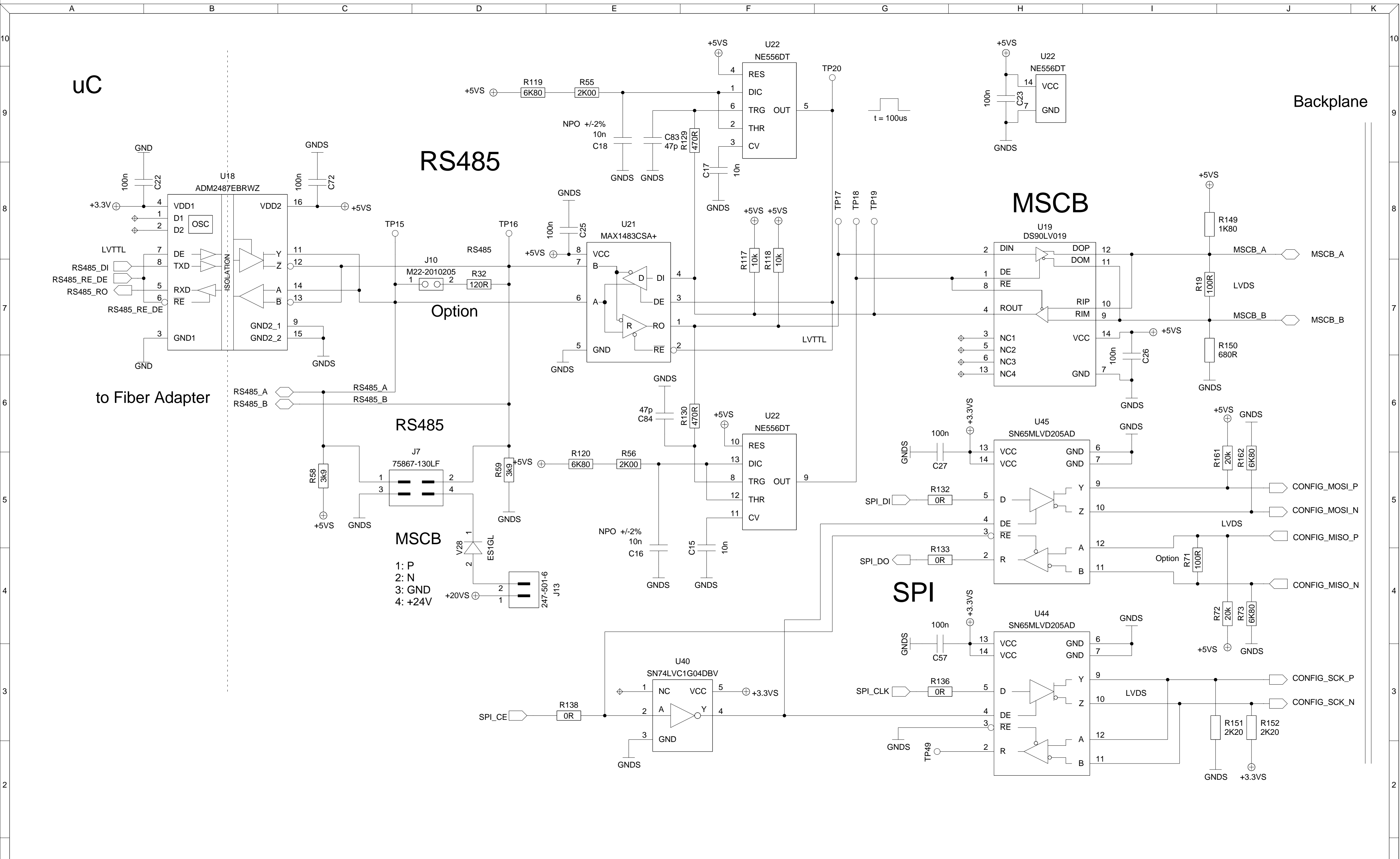
- 000 CE_ADC (SYSTEM MONITOR)
- 001 CE_GPIO
- 010 CE_SPARE
- 011 CE_MISO MOSI
- 100 CE_SPARE
- 101 CE_SPARE
- 110 CE_SPARE
- 111 RST_GPIO


LVTTTL

SPI

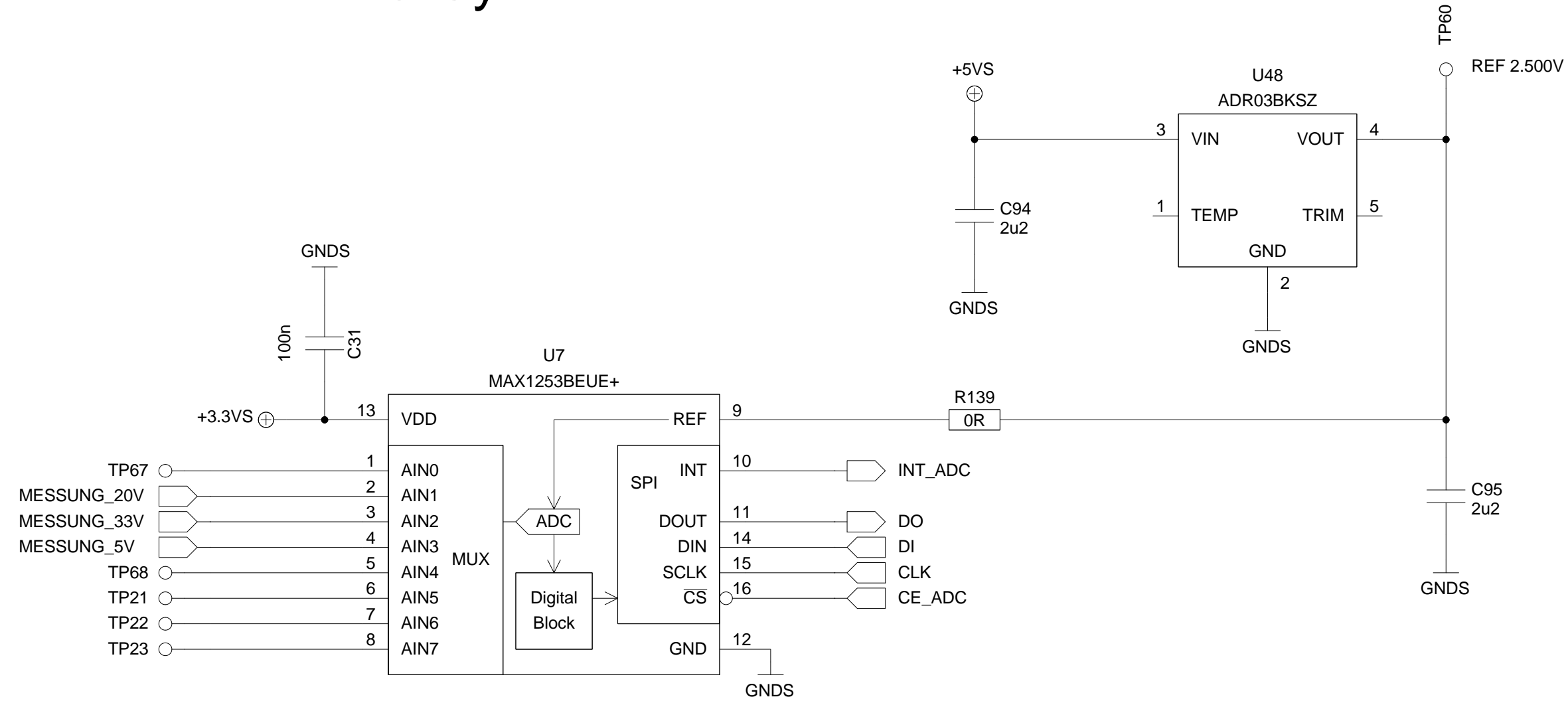
Status OK Enable



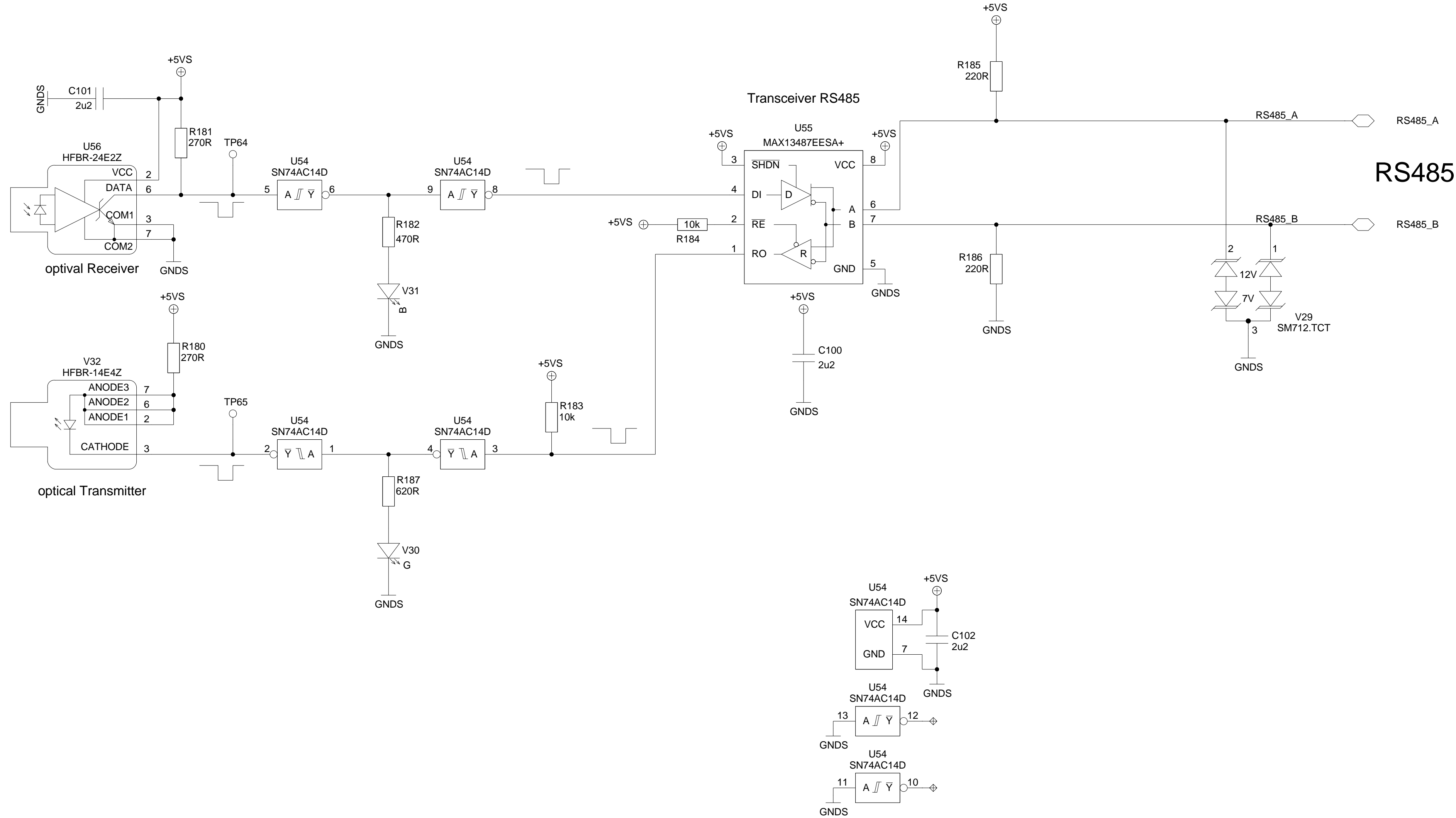


PAUL SCHERRER INSTITUT  CH 5232 Villigen - PSI	Department NUM LTP 3205	Project: Mu3e Schematic: Top Bitte Copie von 48/140900/E	Sheet: RS485	Developer: Hartmann Ueli Drawn by: Hartmann Ueli Checked by: Variant Name:	PCB Nr: 201301 PCB Name: Mu3e_FE_Controller Date Changed: 15/10/2020:15:55 Date of prod. data:	Rev: A Located at: TOP-TopTop Block page: 7 of 10 Sheet Nr.: 7 Total: 10	Size: A4 Located at: TOP-TopTop Block page: 7 of 10 Sheet Nr.: 7 Total: 10
--	----------------------------------	--	--------------	---	---	---	---

ADC System Monitor



MSCB Fiber Adapter



Samtec, QTH-030-01-L-D-RA-PGP

