
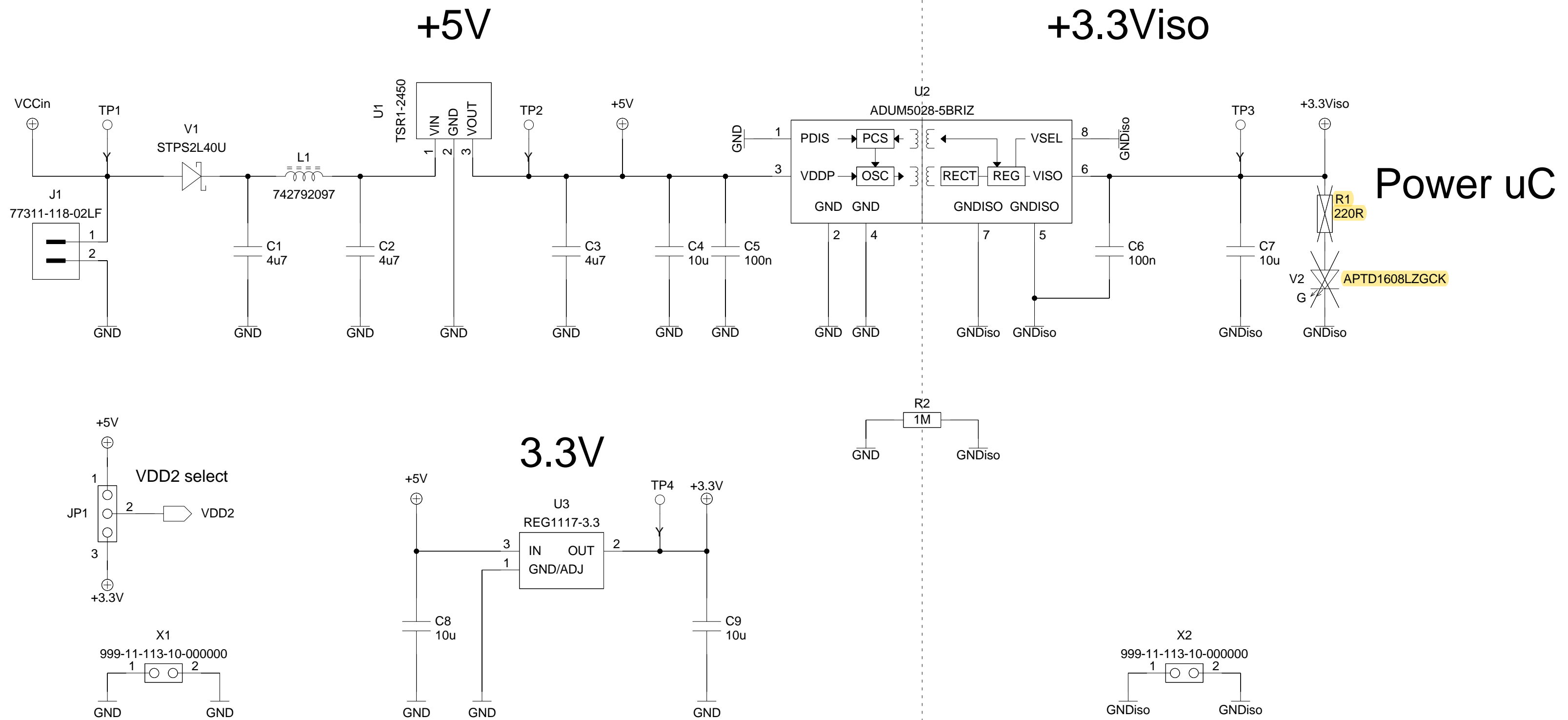


# Mu3e Power DC/DC Controller

24.08.2021

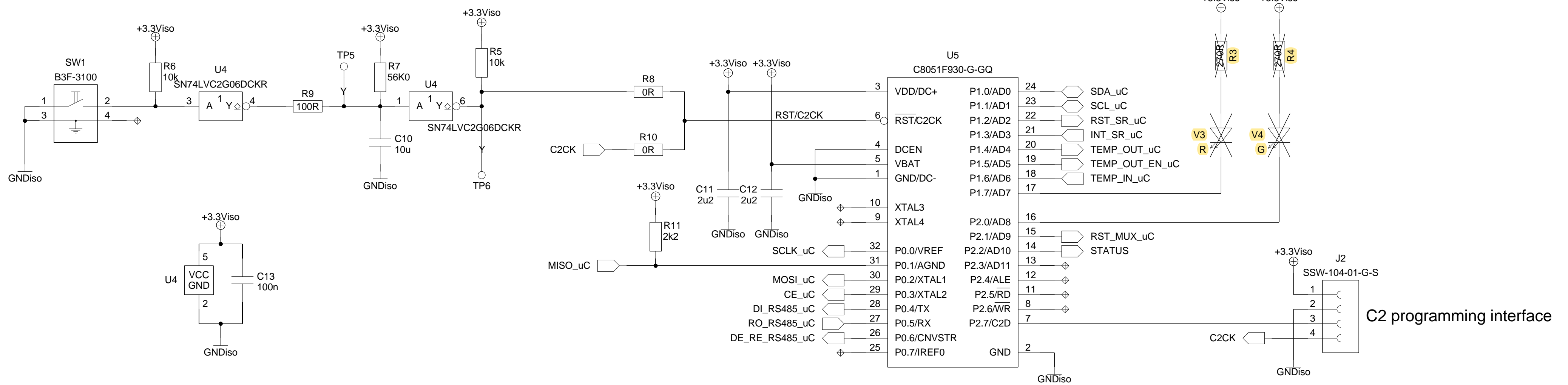
 PAUL SCHERRER INSTITUT CH 5232 Villigen - PSI	Department	Project: Mu3e Schematic: Top DC/DC-board Controller 16 Channel	Sheet: Title	Developer:	Botta Jonas Matteo	PCB Nr:	223603	Rev: A	Size: A4
	PSI			Drawn by:	Botta Jonas Matteo	PCB Name:	Power_DC/DC_Controller_(PDCC)	Located at:	TOP-TopTop
	PER			Checked by:		Date Changed:	08/09/2022:12:04	Block page:	1 of 8
	1381			Variant Name:		Date of prod. data:	08.09.2022	Sheet Nr.: 1	Total: 8

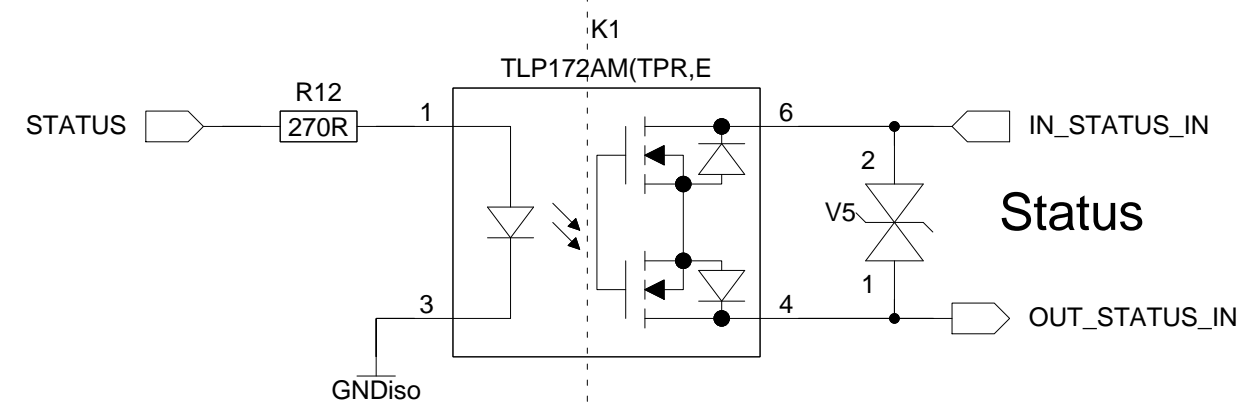
Power



# Reset Button

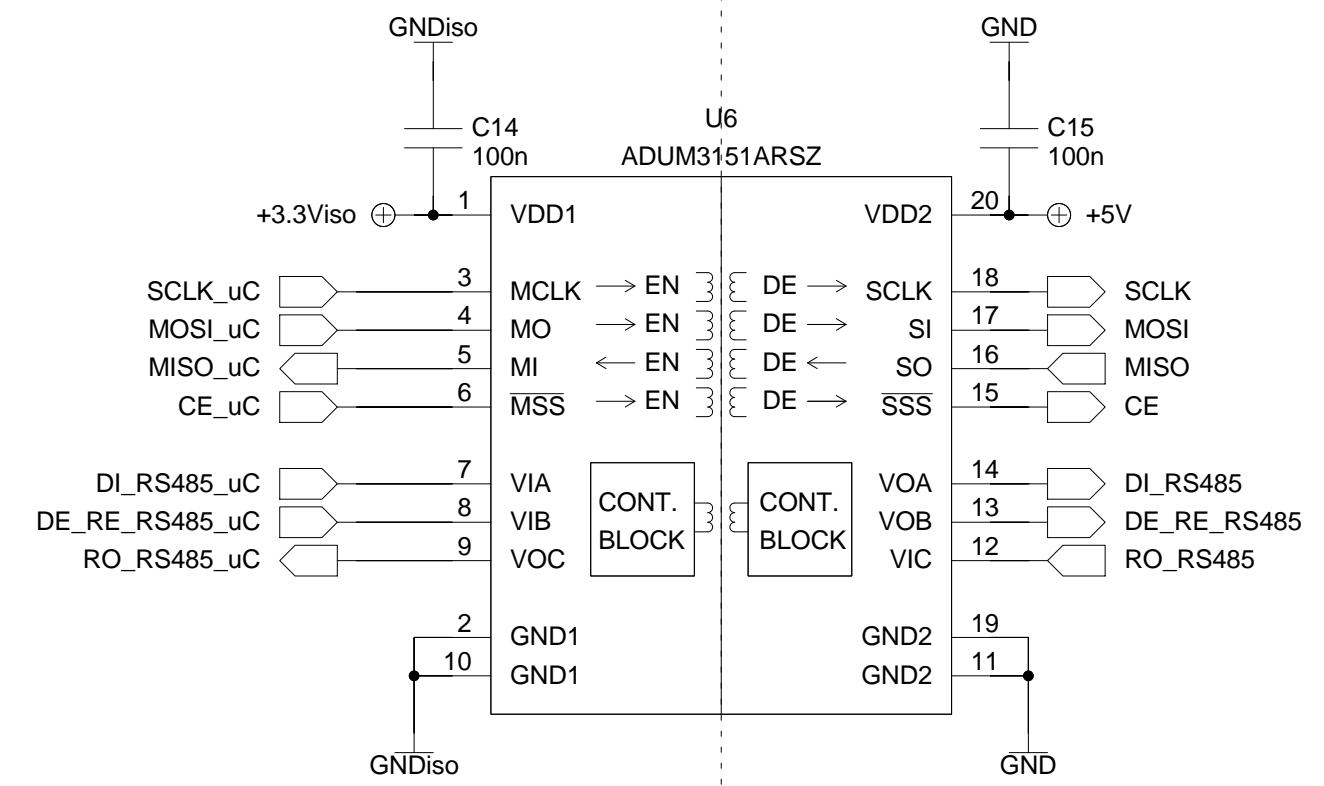
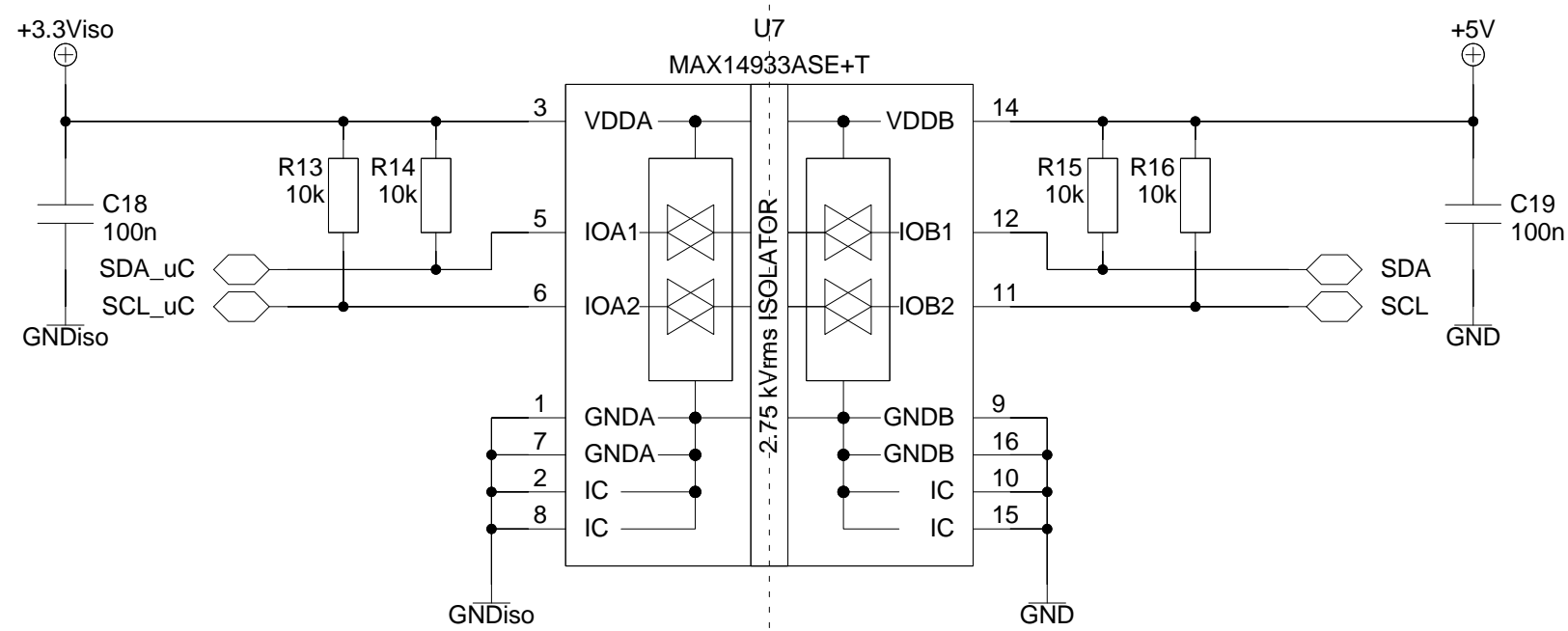
# Mikrocontroller





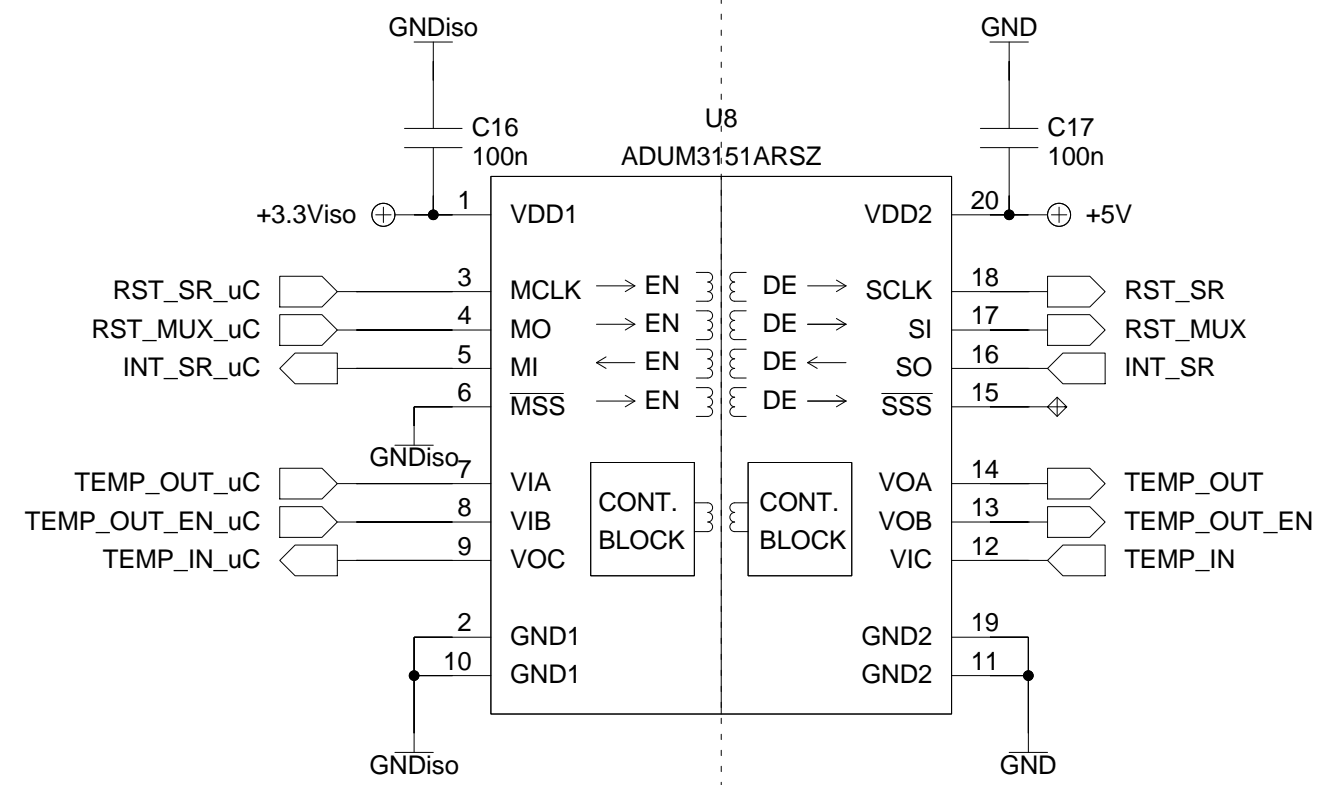
uC

+5V

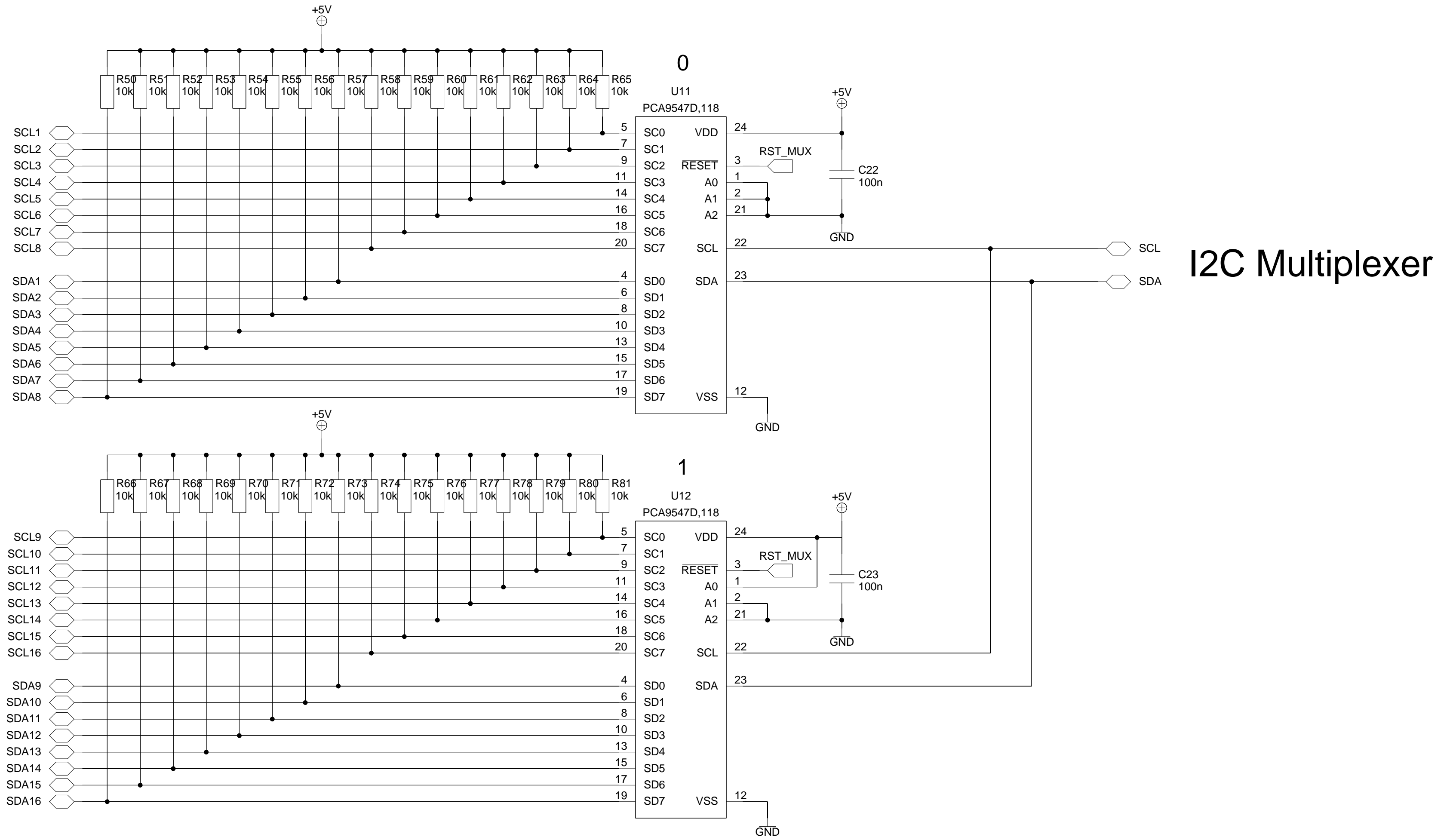


uC

+5V

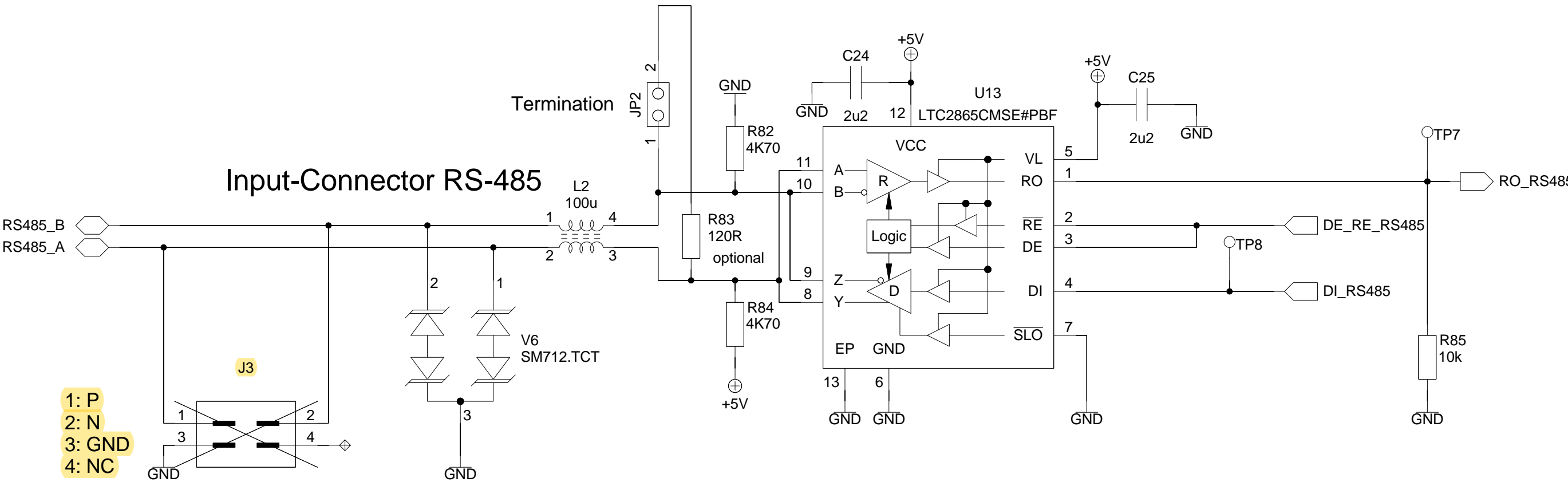




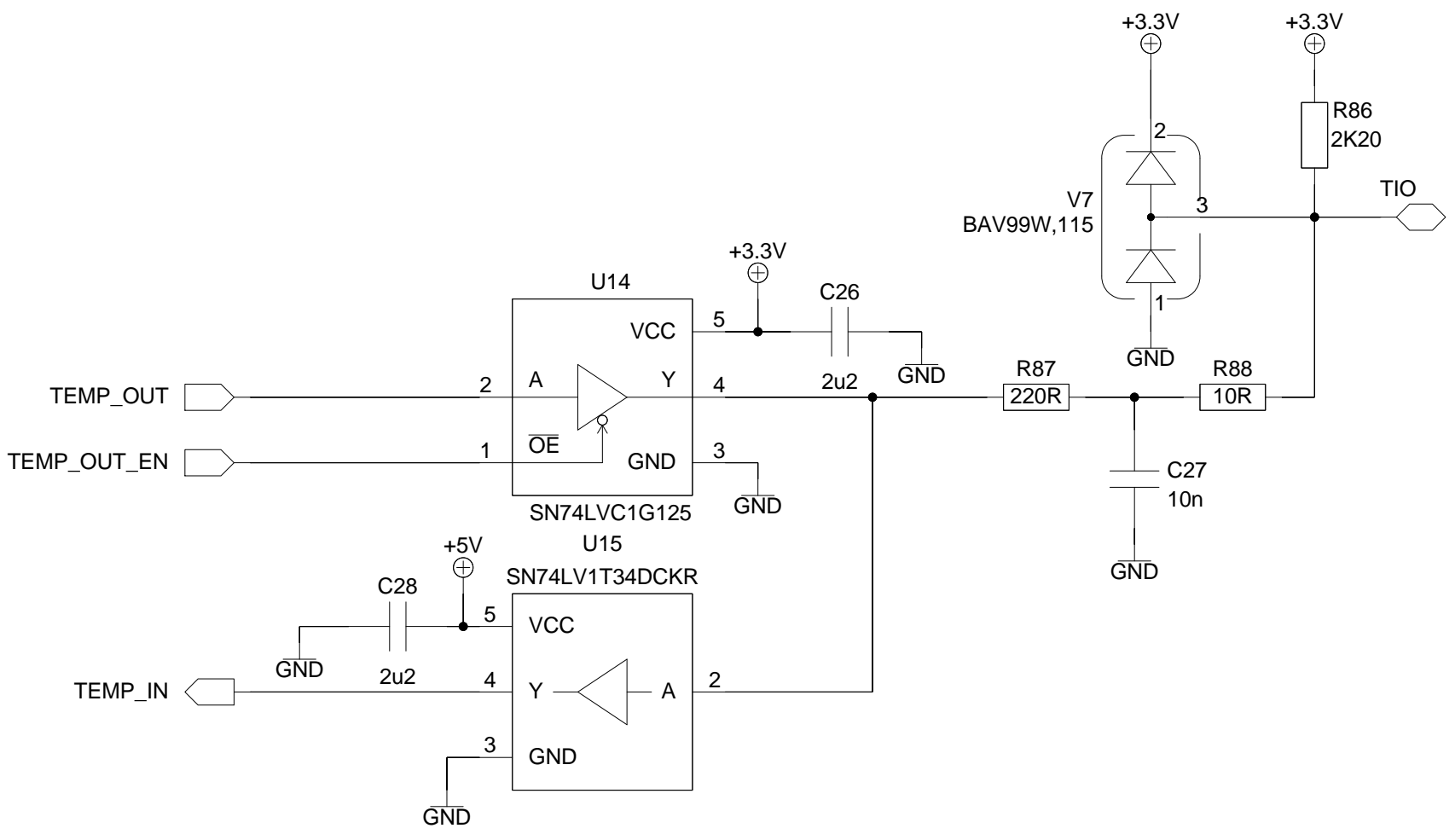


# I2C Multiplexer

# RS-485 Transceiver



# Temperature sensor



 PAUL SCHERRER INSTITUT CH 5232 Villigen - PSI	Department PSI PER 1381	Project: Mu3e Schematic: Top DC/DC-board Controller 16 Channel	Sheet: RS485	Developer: Botta Jonas Matteo Drawn by: Botta Jonas Matteo Checked by: Variant Name:	PCB Nr: 223603 PCB Name: Power_DC/DC_Controller_(PDCC) Date Changed: 28/09/2022:12:04 Date of prod. data: 08.09.2022	Rev: A Located at: TOP-TopTop Block page: 7 of 8 Sheet Nr.: 7 Total: 8	Size: A4 Total: 8
--	----------------------------------	--	--------------	---	---	---	----------------------

# Samtec, QTH-030-01-L-D-RA-PGP

