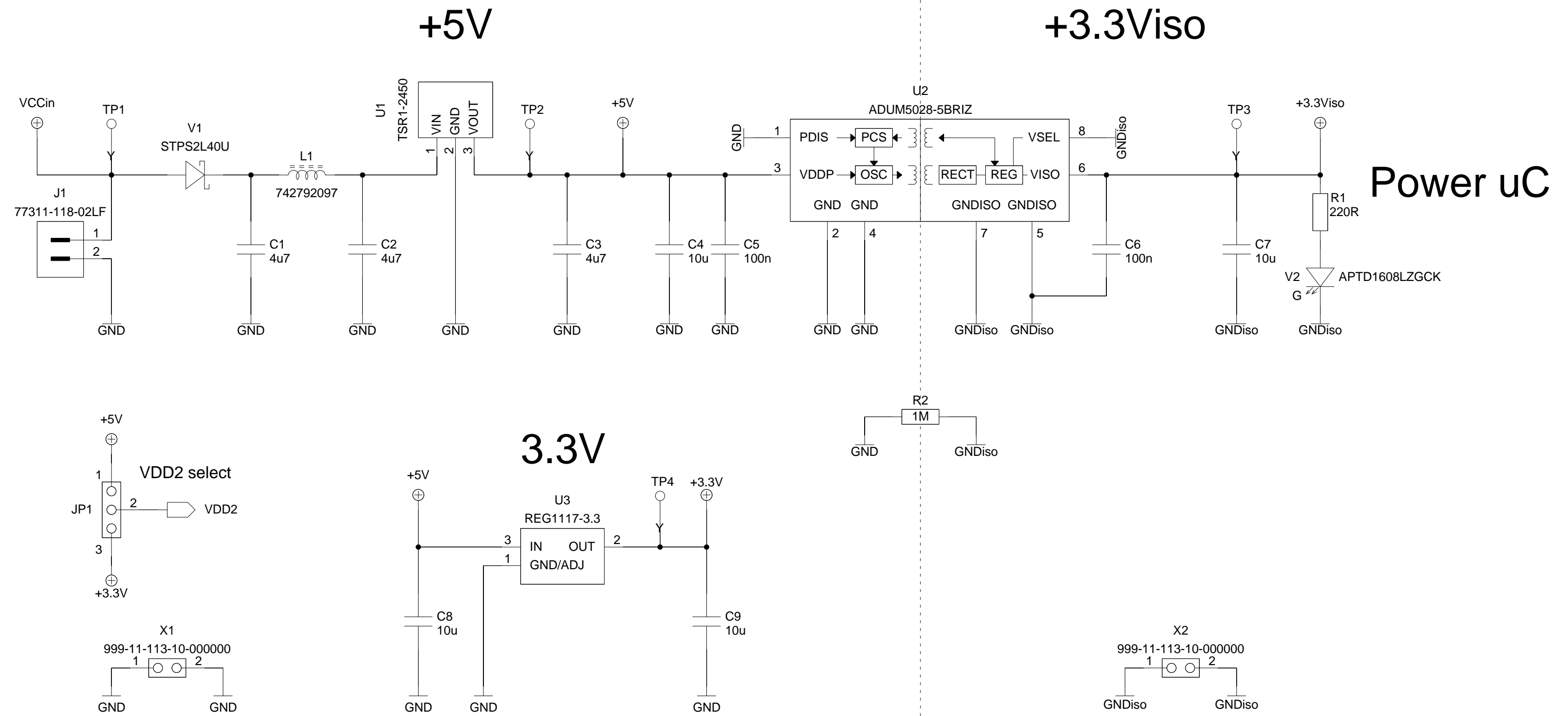


# Mu3e Power DC/DC Controller

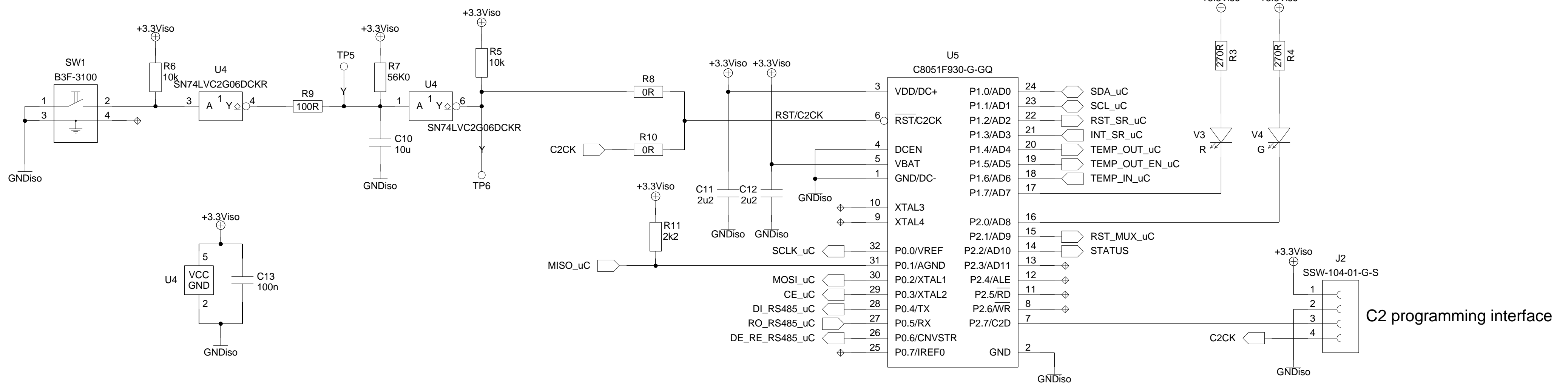
24.08.2021

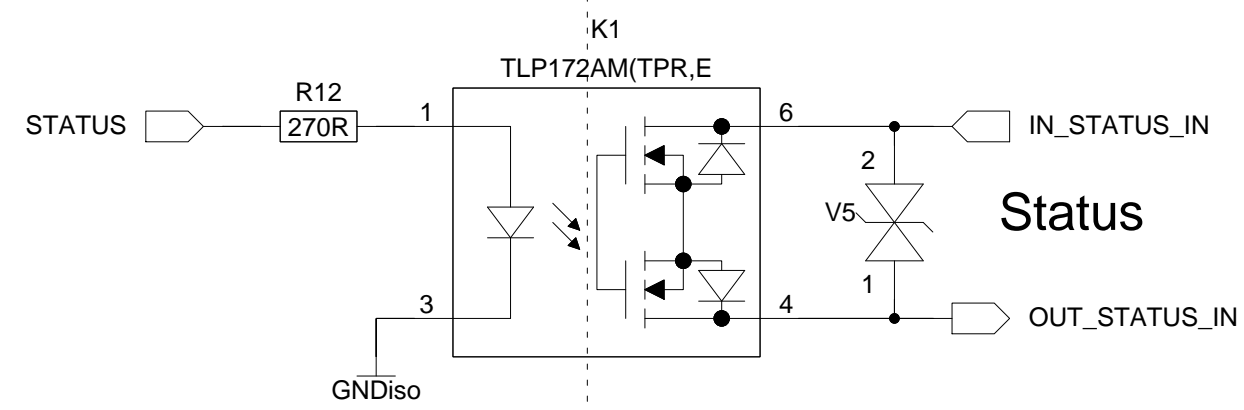
Power



# Reset Button

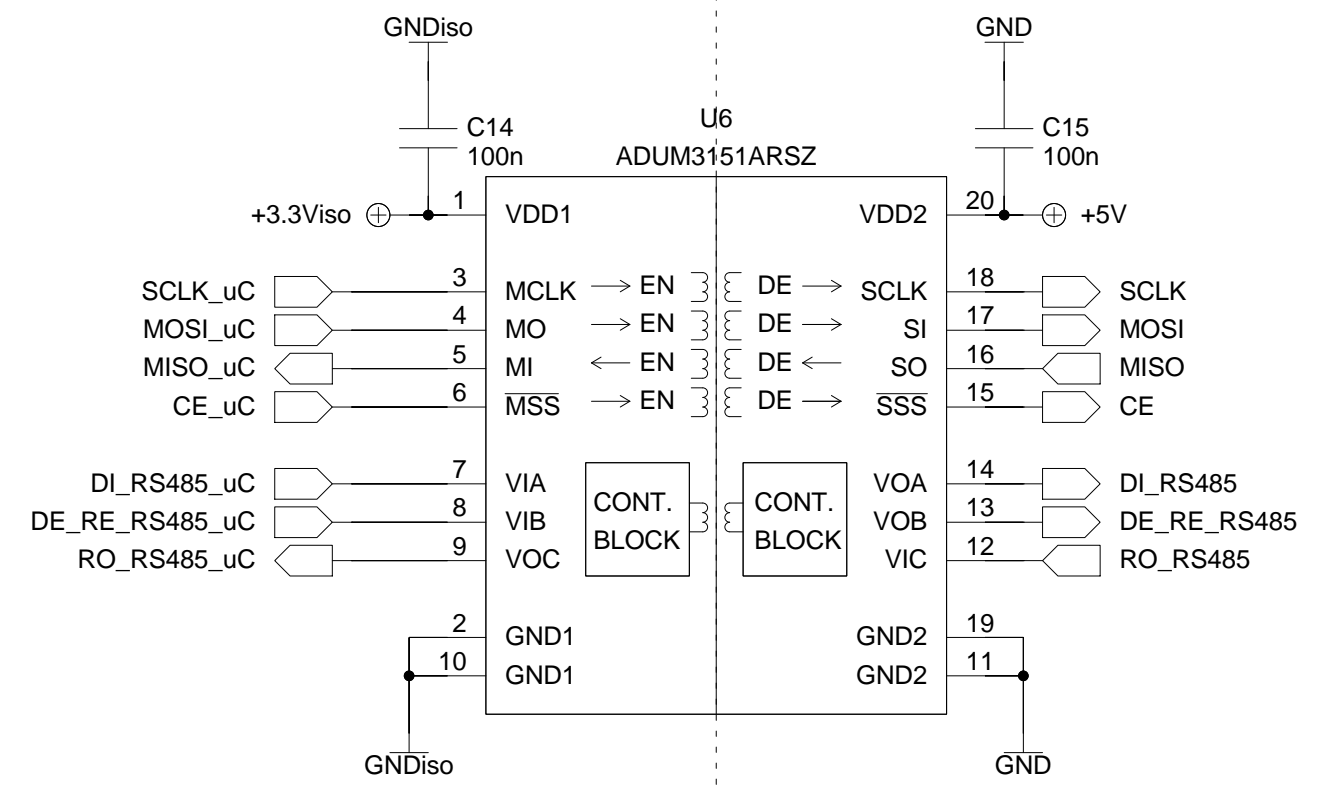
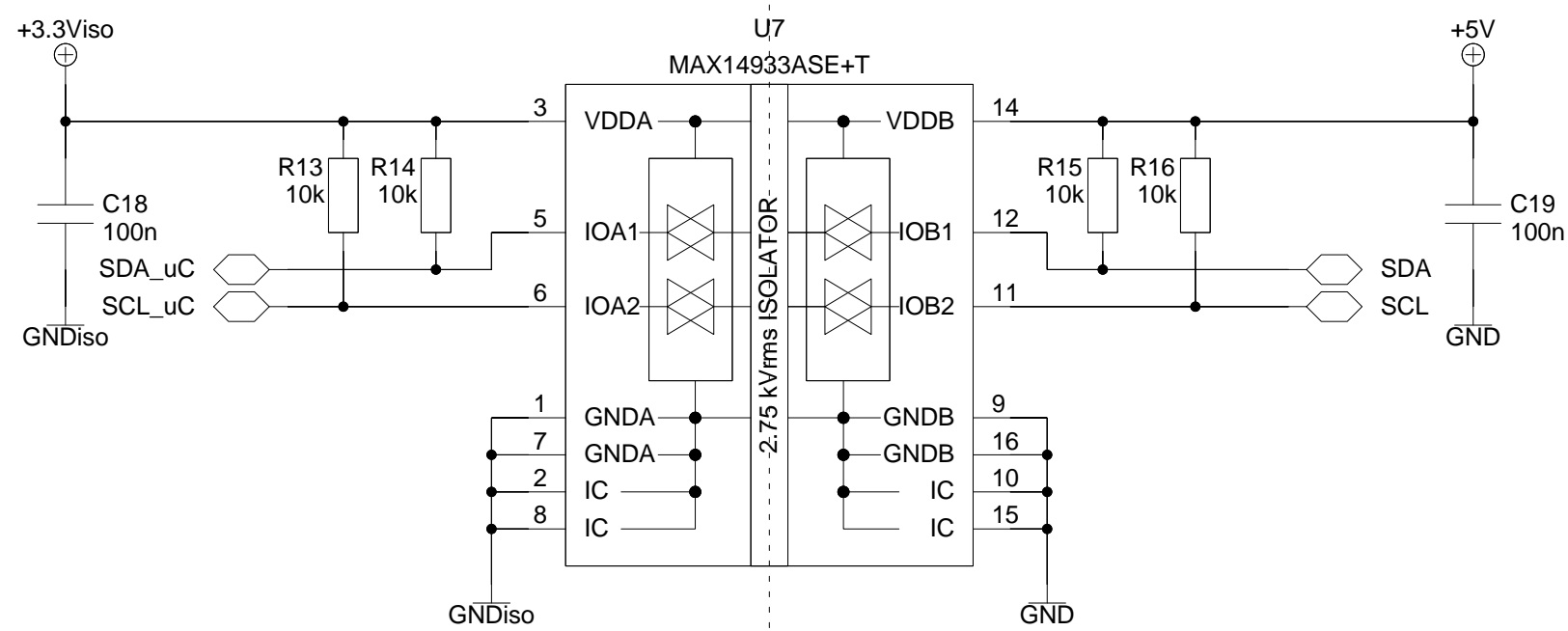
# Mikrocontroller





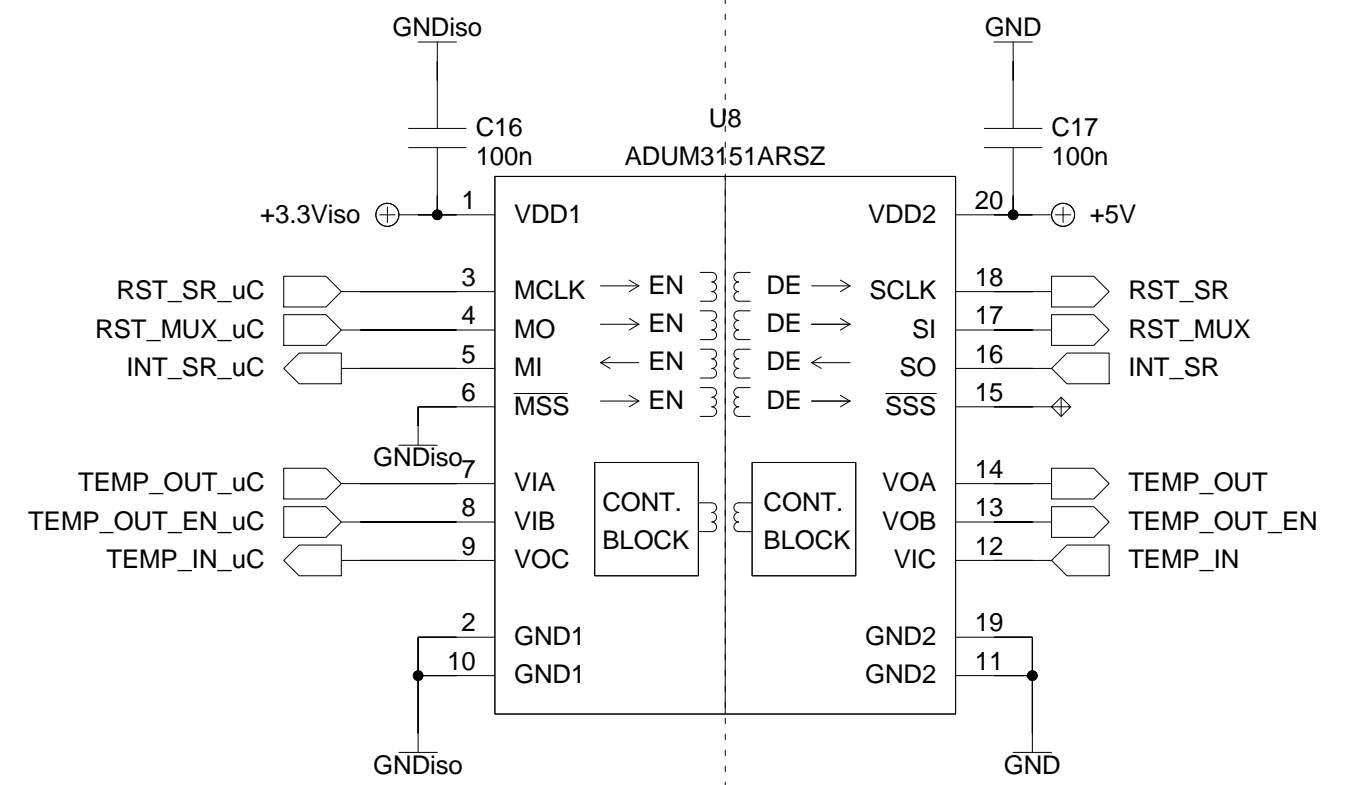
uC

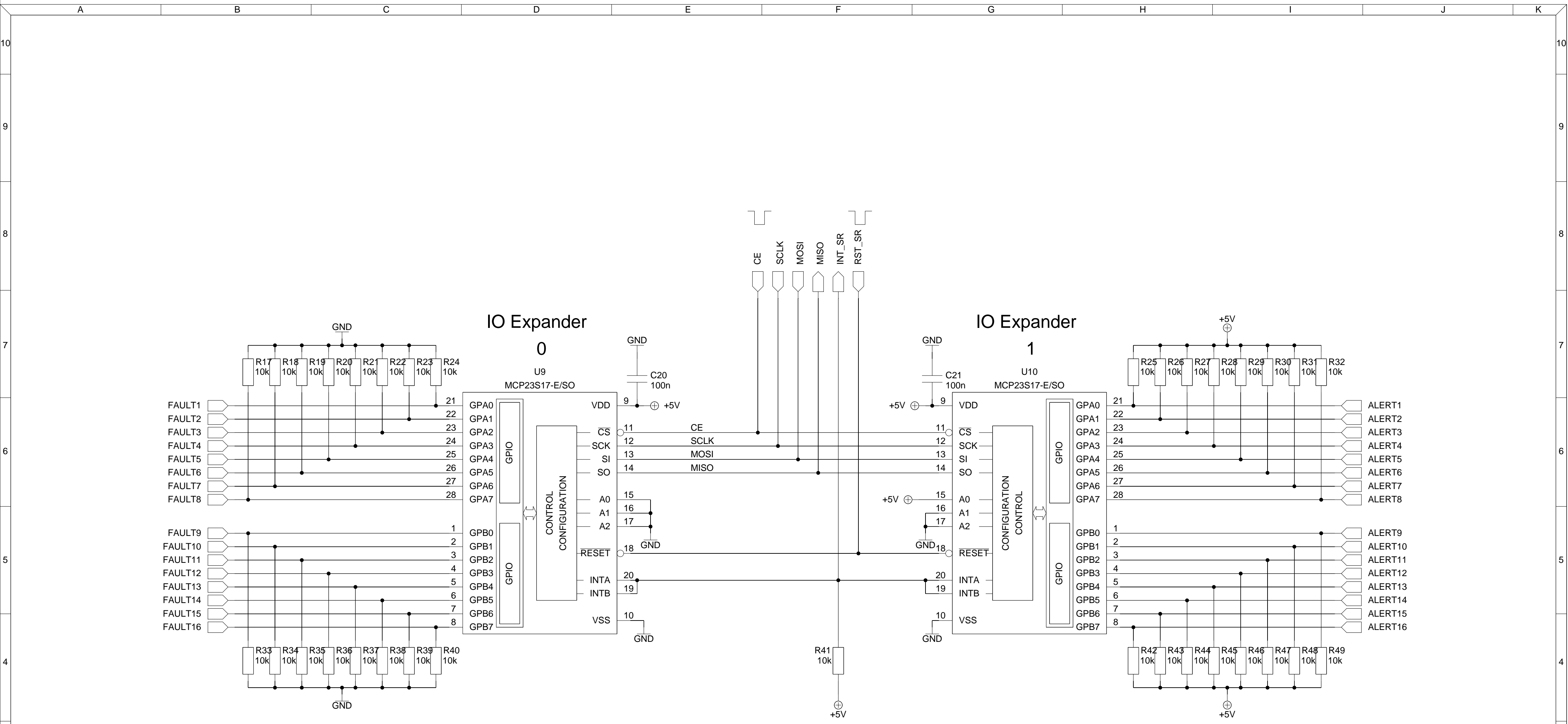
+5V

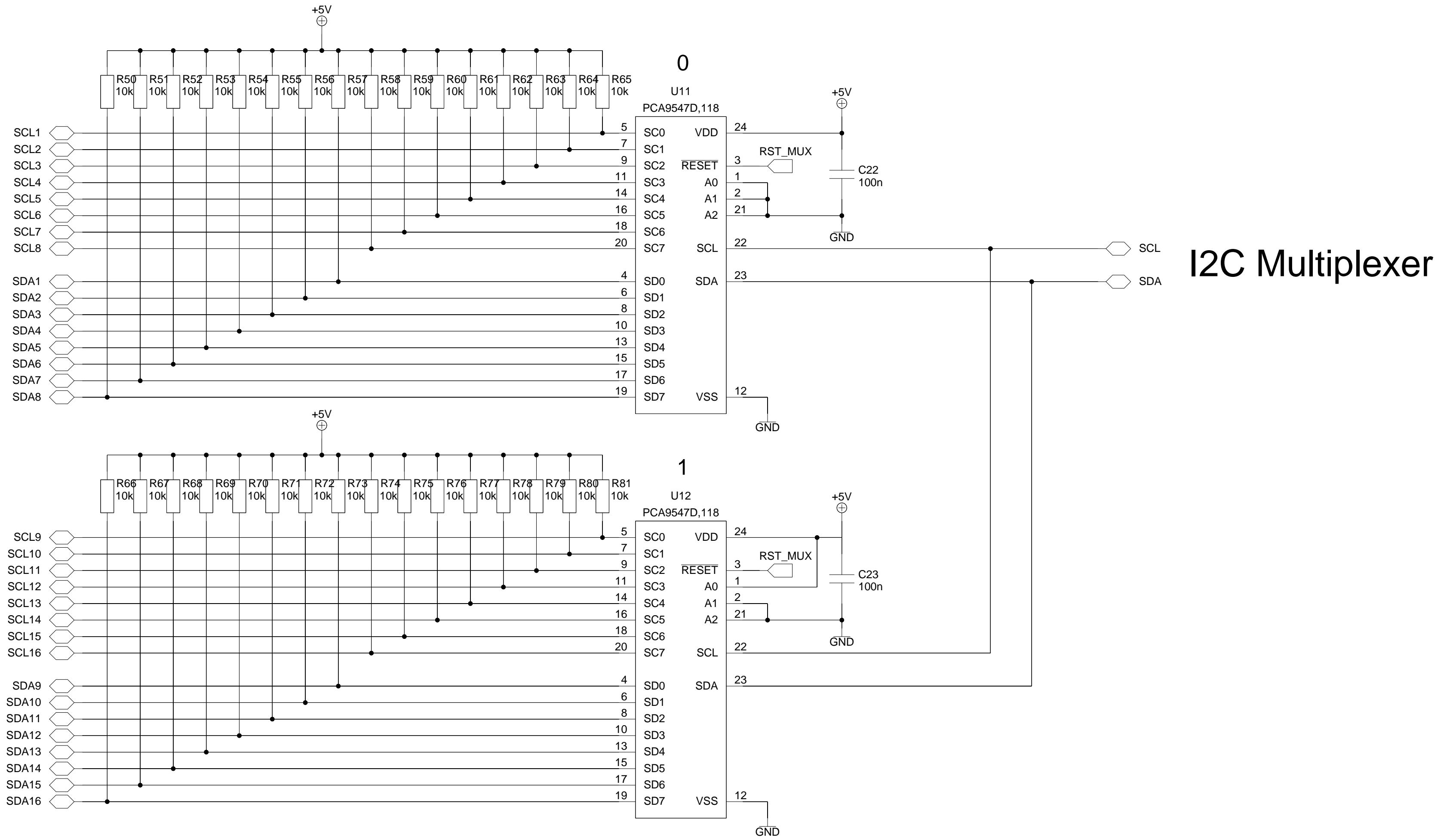


uC

+5V

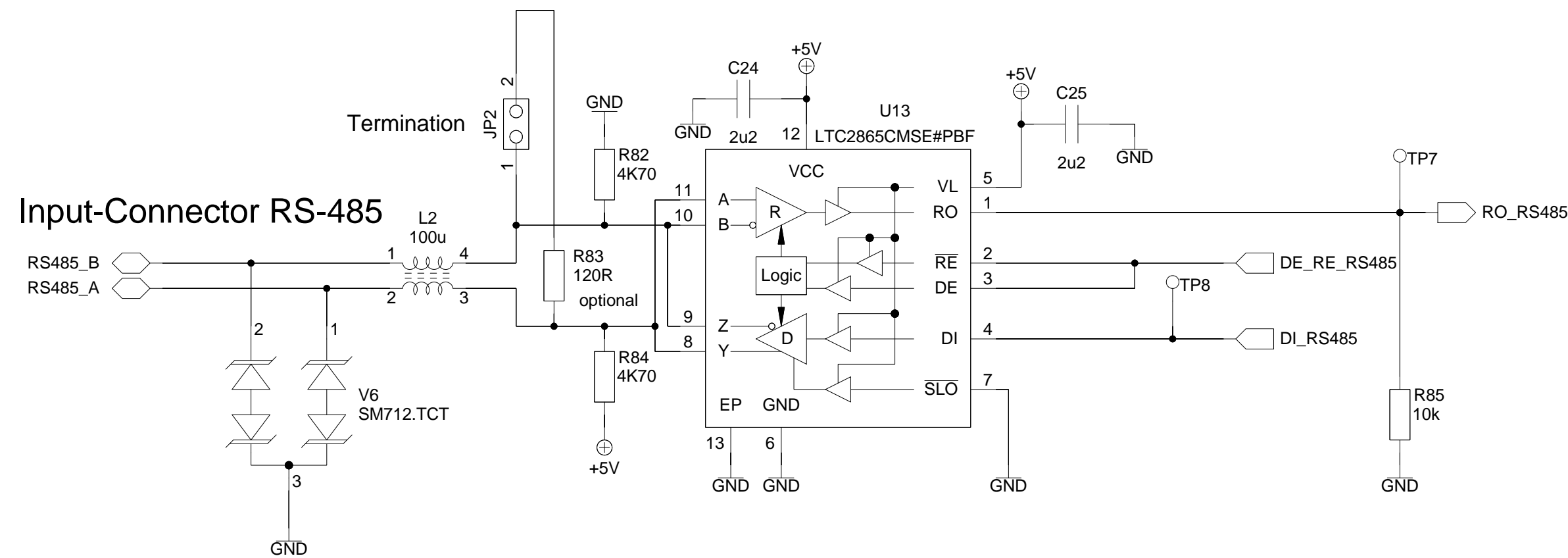




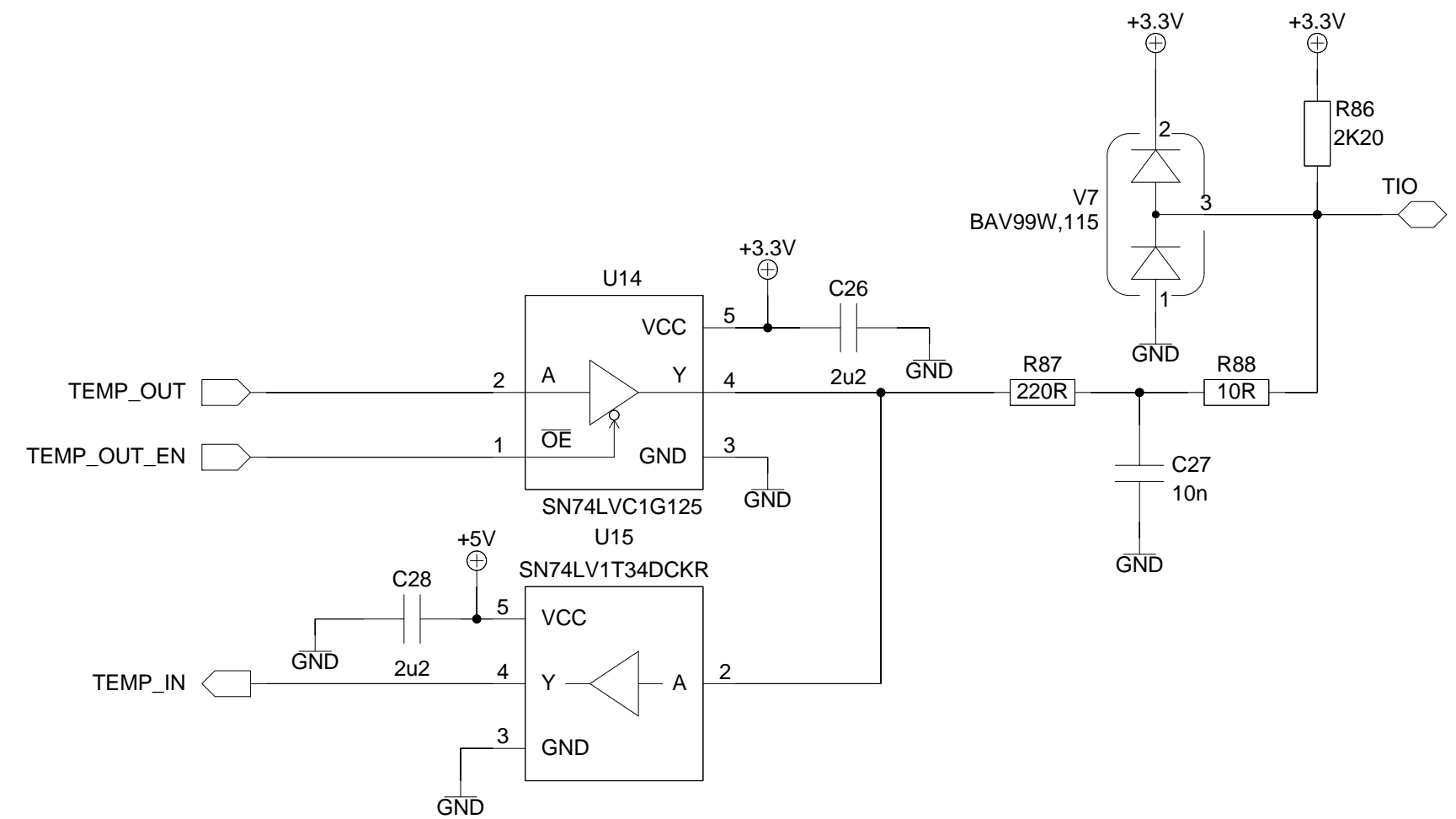


# I2C Multiplexer

# RS-485 Transceiver



# Temperature sensor



# Samtec, QTH-030-01-L-D-RA-PGP

