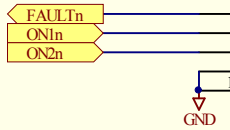
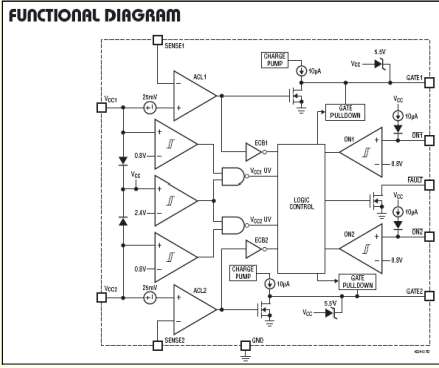


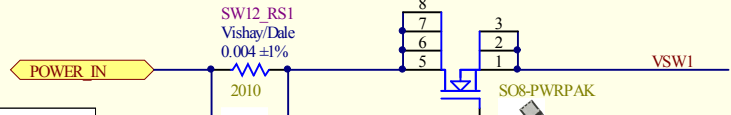
| MSCB - 6 Channel Power Switch | | | | TRUMPF LOGO |
|-------------------------------|--------------------|--|--|--|
| Revision | Drawing #: * | TRUMPF | | Cannot open file G:\AHWP\ROTELASC\H_LIB\TRI |
| 0 | Sheet #: 1 of 2 | 4004 Westbrook Mall Vancouver, B.C. Canada V6T 2A3 | | |
| | Drawn by: D.Bishop | Date: 28-Mar-09 | | |
| | | File: C:\T2KElectronics\MSCBPowerDist\MSCB - 6 Channel Power Switch.SchDoc | | |



Linear Technology
LTC4224CDDB-1#TRMPBF
10-DFN

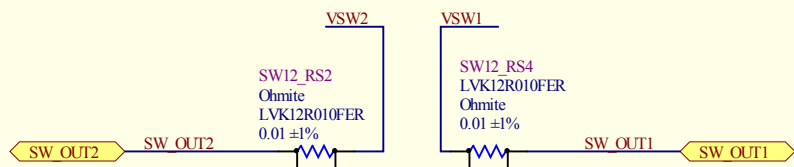
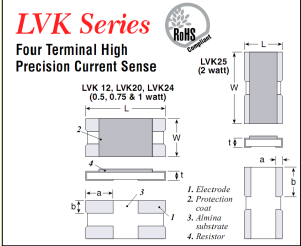
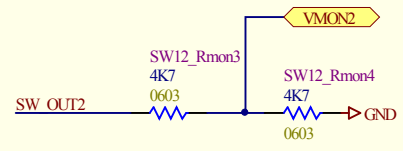
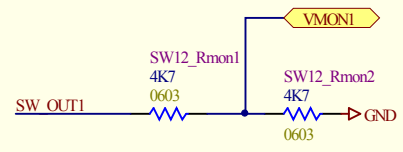
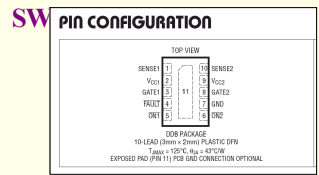
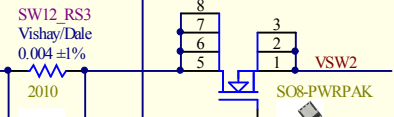
SW12_Q1

Vishay/Siliconix
SIR464DP-T1-GE3



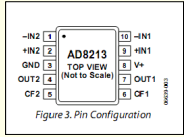
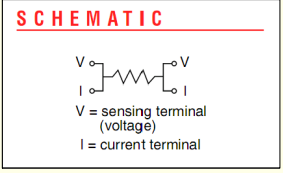
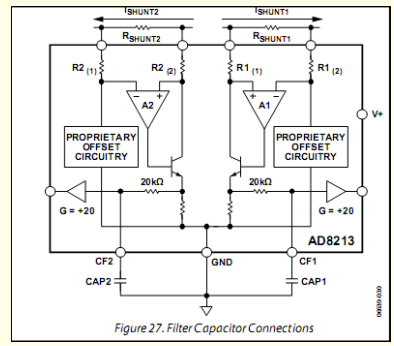
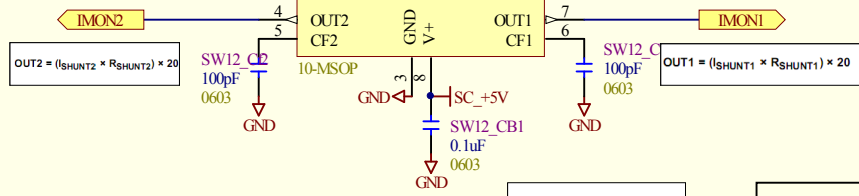
SW12_Q2

Vishay/Siliconix
SIR464DP-T1-GE3



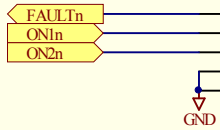
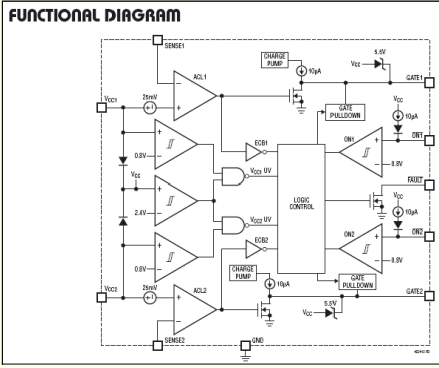
SW12_U2

Analog Devices Inc
AD8213YRMZ-R7



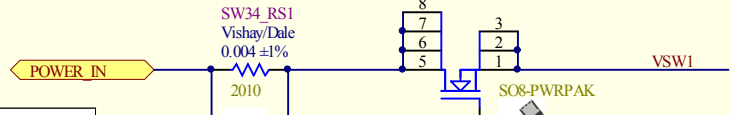
MSCB - 6 Channel Power Switch: Dual Switch / Imon

| | | |
|---|-----------------|--|
| Revision | Drawing #: | TRUMF 4004 Westbrook Mall Vancouver, B.C. Canada V6T 2A3 |
| 0 | Sheet #: 2 of 2 | |
| Drawn by: D.Bishop | Size: A | Date: 28-Mar-09 |
| File: C:\TZK\Electronics\MSCBPowerDist\MSCB - 6 Channel Power Switch - Dual Switch.SchDoc | | 08:08:32 |

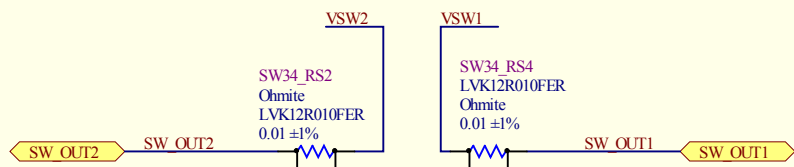
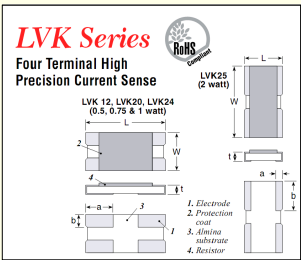
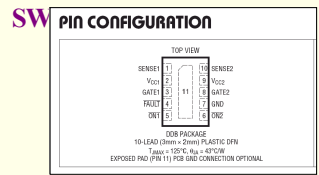
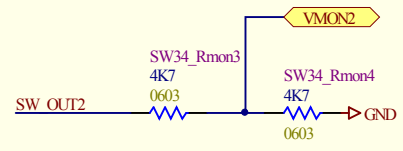
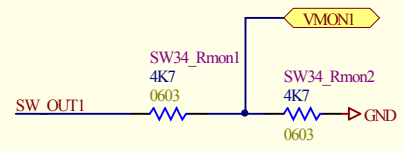
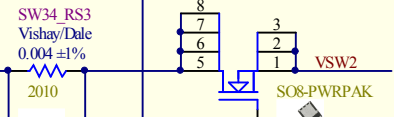


Linear Technology
LTC4224CDDB-1#TRMPBF
10-DFN

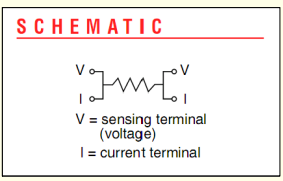
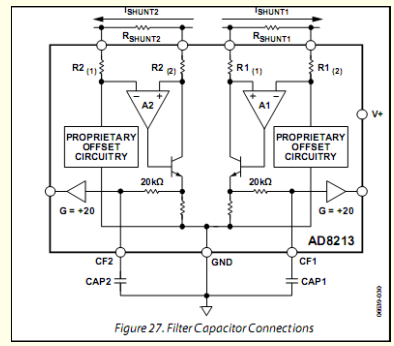
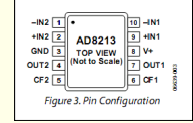
SW34_Q1
Vishay/Siliconix
SIR464DP-T1-GE3



SW34_Q2
Vishay/Siliconix
SIR464DP-T1-GE3



SW34_U2
Analog Devices Inc
AD8213YRMZ-R7

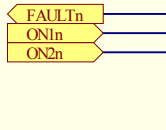
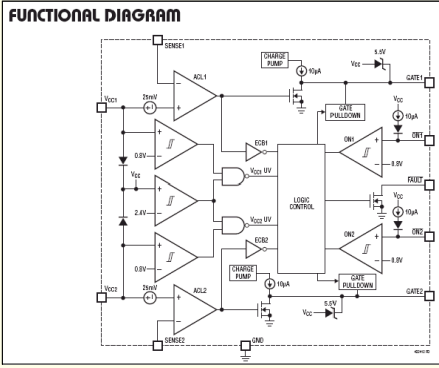


MSCB - 6 Channel Power Switch: Dual Switch / Imon

| | | |
|--------------------|-----------------|--|
| Revision | Drawing #: | TRUMF 4004 Westbrook Mall Vancouver, B.C. Canada V6T 2A3 |
| 0 | Sheet #: 2 of 2 | |
| Drawn by: D.Bishop | Size: A | Date: 28-Mar-09 |

File: C:\T&E\Electronics\MSCBPowerDist\MSCB - 6 Channel Power Switch - Dual Switch.SchDoc

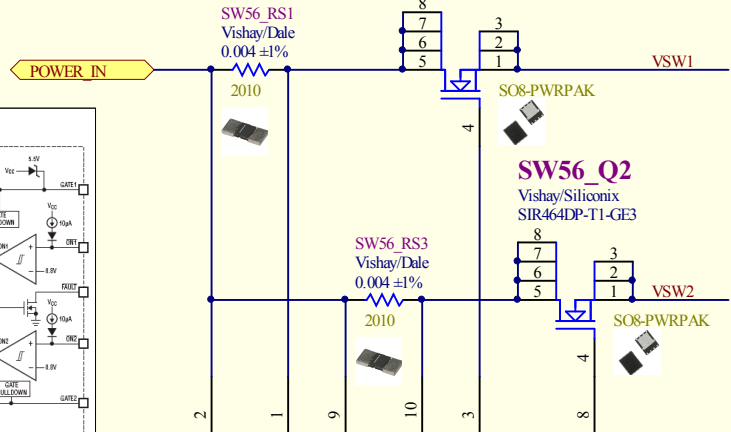




Linear Technology
LTC4224CDDB-1#TRMPBF
10-DFN

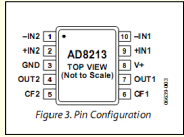
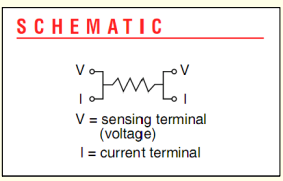
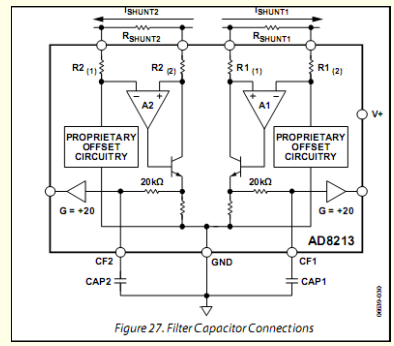
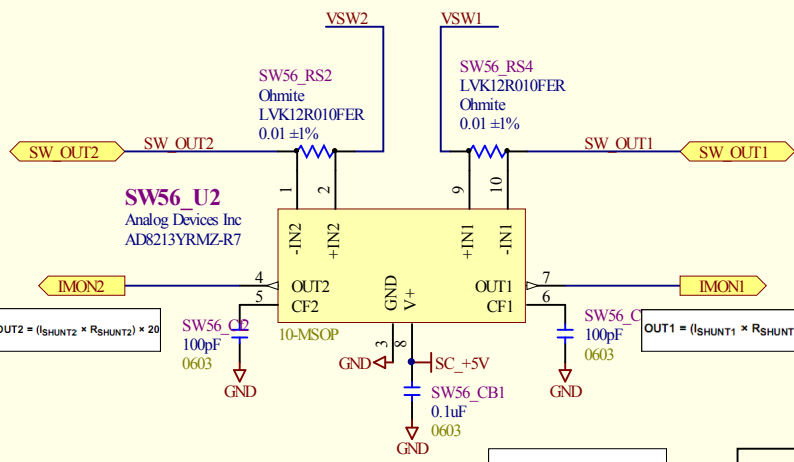
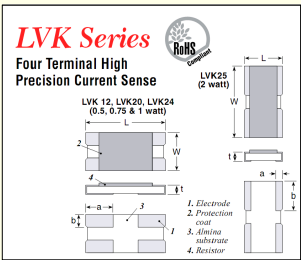
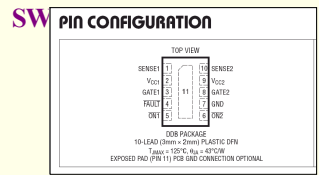
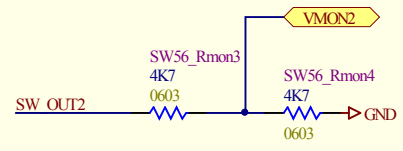
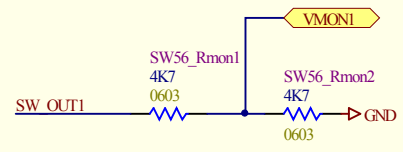
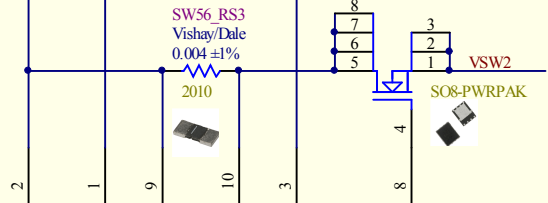
SW56_Q1

Vishay/Siliconix
SIR464DP-T1-GE3



SW56_Q2

Vishay/Siliconix
SIR464DP-T1-GE3



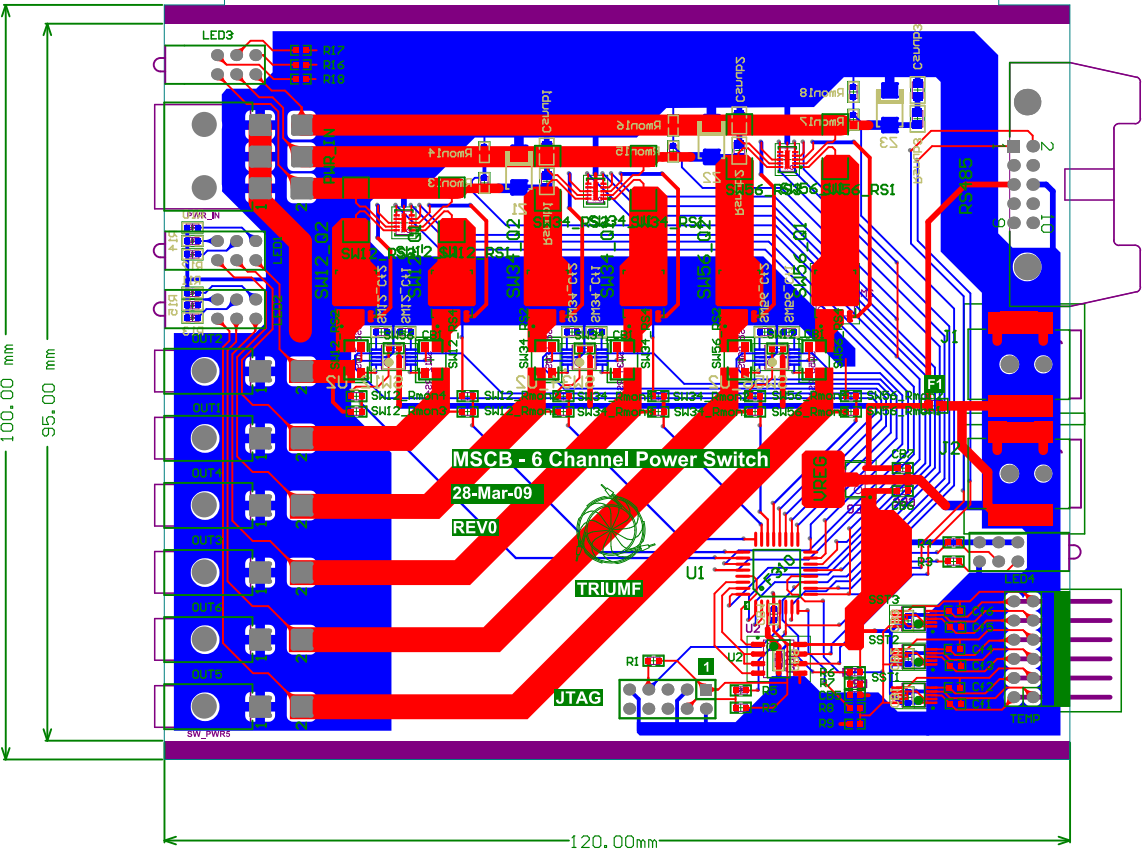
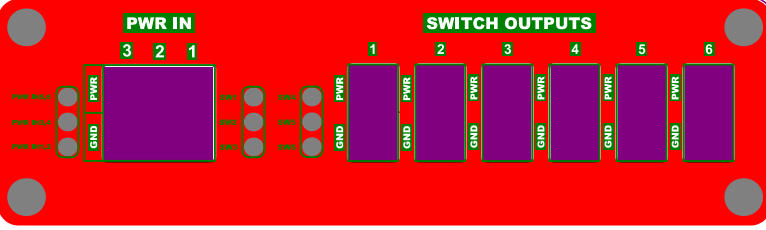
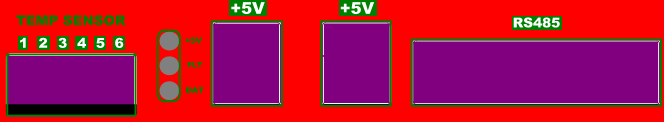
MSCB - 6 Channel Power Switch: Dual Switch / Imon

| | | |
|--------------------|-----------------|--|
| Revision | Drawing #: | TRUMF 4004 Westbrook Mall Vancouver, B.C. Canada V6T 2A3 |
| 0 | Sheet #: 2 of 2 | |
| Drawn by: D.Bishop | Size: A | Date: 28-Mar-09 |

File: C:\TZK\Electronics\MSCBPowerDist\MSCB - 6 Channel Power Switch - Dual Switch.SchDoc



MSCB - 6 CHANNEL POWER SWITCH



Bill of Materials

MSCB - 6 Channel Power Switch

Source Data From: MSCB - 6 Channel Power Switch.PrjPcb
 Project: MSCB - 6 Channel Power Switch.PrjPcb
 Variant: None

Creation Date: 28-Mar-09 08:08:43
 Print Date: 39900 39900.33942

| Footprint | Comment | LibRef | Designator | Description | Quantity |
|---------------------------|------------------------|------------------------|--|--|----------|
| 0603 | 0.1uF | cap-small | CB1, CB2, CB3, CB5, SW12_CB1, SW34_CB1, SW56_CB1 | CAP .1UF 25V CERAMIC X7R 0603 | 7 |
| 0603 | 0.1uF | CAP-SMALL | CB4 | CAP .10UF 10V CERAMIC X7R 0603 | 1 |
| 0603 | 10uF | CAP-SMALL | CB6, CB7, CB8 | CAP CER 10UF 6.3V X7R 0805 | 3 |
| 0603 | 100nF | cap-small | Cf1, Cf2, Cf3, Cf4, Cf5, Cf6, SW12_Cf1, SW12_Cf2, SW34_Cf1, SW34_Cf2, SW56_Cf1, SW56_Cf2 | | 12 |
| 0805 | 0.1uF | cap-small | Csnum1, Csnum2, Csnum3 | | 3 |
| 0805 | PRG21BC0R2M1RA | THERMAL FUSE | F1 | THERMISTOR PTC 0.2 OHM SMD | 1 |
| POWER JACK SMT 2.1mm | PJ-002A-SMT | POWER-JACK2.1MM | J1 | CONN PWR JACK 2.0X6.3MM SMT | 1 |
| CUI PJ-002A-SMT | PJ-002A-SMT | POWER-JACK2.1MM | J2 | CONN PWR JACK 2.0X6.3MM SMT | 1 |
| IDC10 | HEADER 5X2 | HEADER 5X2 | JTAG | CONN HEADER VERT .100 10POS 30AU | 1 |
| LED-DIALIGHT-570 | 570-0100-111F | LED-DIALIGHTX3 | LED1, LED2, LED3, LED4 | LED 3HI 2MM RED | 4 |
| MOLEX2x3 0603 | 39-30-1060 4K7 | CON6 RES-SMALL | PWR IN R1, R2, Rmon13, Rmon14, Rmon15, Rmon16, Rmon17, Rmon18, SW12_Rmon1, SW12_Rmon2, SW12_Rmon3, SW12_Rmon4, SW34_Rmon1, SW34_Rmon2, SW34_Rmon3, SW34_Rmon4, SW56_Rmon1, SW56_Rmon2, SW56_Rmon3, SW56_Rmon4 | CONN HEADER 6POS 4.2MM R/A TIN | 1 20 |
| 0603 | 470 | RES-SMALL | R3, R4, R5, R10, R11, R12, R13, R14, R16, R17, R18 | | 12 |
| 0603 | 6.04K ±1% | RES-TINY | R6 | RES 6.04K OHM 1/10W 1% 0603 SMD | 1 |
| 0603 | 1.60K ±1% | RES-TINY | R7 | RES 1.6K OHM 1/16W .1% 0603 SMD | 1 |
| 0603 | 10K | RES-TINY | R8, R9 | RES 10.0K OHM 1/10W 1% 0603 SMD | 2 |
| IDC2.54-H10B | RS458 | HEADER 5X2 | RS458 | CONN HEADER 10 POS STRGHT GOLD | 1 |
| 0805 | 10 | RES-SMALL | Rsnub1, Rsnub2, Rsnub3 | | 3 |
| MSOP10 | ADT7486A | ADT7486A | SST1, SST2, SST3 | IC TEMP SENS DGTL 2CH SST 10MSOP | 3 |
| SO8_POWERPAK | SIR464DP-T1-GE3 | MOSFET N_SO8-PWRPAK | SW12_Q1, SW12_Q2, SW34_Q1, SW34_Q2, SW56_Q1, SW56_Q2 | MOSFET N-CH 30V POWERPAK 8-SOIC | 6 |
| 2010-VISHAY | WSL20104L000FEA | RES-SMALL | SW12_RS1, SW12_RS3, SW34_RS1, SW34_RS3, SW56_RS1, SW56_RS3 | RES .004 OHM 1/2W 1% 2010 SMD | 6 |
| LVK12 - 1206 | LVK12R010FEA | RES-4-TERM | SW12_RS2, SW12_RS4, SW34_RS2, SW34_RS4, SW56_RS2, SW56_RS4 | RES .01 OHM 1/2W 1% 4-TERM 1206 | 6 |
| DFN-10 | LTC4224CDDB1#TRMPBF | LTC4224 | SW12_U1, SW34_U1, SW56_U1 | IC CNTRLR HOT SWAP DUAL 10-DFN | 3 |
| MSOP10 | AD8213YRMZ-R7 | AD8213 | SW12_U2, SW34_U2, SW56_U2 | IC SHUNT MONITOR DUAL HV 10-MSOP | 3 |
| MOLEX2x1 | OUT1 | CON2 | SW_PWR1 | CONN HEADER 2POS 4.2MM R/A TIN | 1 |
| MOLEX2x1 | OUT2 | CON2 | SW_PWR2 | CONN HEADER 2POS 4.2MM R/A TIN | 1 |
| MOLEX2x1 | OUT3 | CON2 | SW_PWR3 | CONN HEADER 2POS 4.2MM R/A TIN | 1 |
| MOLEX2x1 | OUT4 | CON2 | SW_PWR4 | CONN HEADER 2POS 4.2MM R/A TIN | 1 |
| MOLEX2x1 | OUT5 | CON2 | SW_PWR5 | CONN HEADER 2POS 4.2MM R/A TIN | 1 |
| MOLEX2x1 | OUT6 | CON2 | SW_PWR6 | CONN HEADER 2POS 4.2MM R/A TIN | 1 |
| IDC12/RA TRIUMF LOGO1 | HEADER 6X2 TRIUMF LOGO | HEADER 6X2 TRIUMF LOGO | TEMP TLOGO | Header, 6-Pin, Dual row | 1 |
| LQFP32 | F310 | C8051F310 | U1 | Silicon Laboratories Embedded Processo | 1 |
| SOIC127P60 0-8CM | ADM3072EARZ | MAX485 | U2 | IC TXRX RS-485 3.3V HD 8-SOIC | 1 |
| SOT89-150P409X16 3N | LD2981CU33TR | LD2981CU33 | VREG | IC REG LDO 3.3V 100MA SOT-89 | 1 |
| DO-214AA - Tran Volt Supp | SMAJ6.5A-13-F | ZENER1 | Z1, Z2, Z3 | TVS UNIDIRECT 400W 6.5V SMA | 3 |

| Approved | Notes |
|----------|-------|
| | |